

KINCROME

EVOLUTION

Tool Trolley

13 Drawer Extra Wide
1350mm (53")

K7963

Operation Manual



IMPORTANT:

This operating manual contains important safety information, read carefully & understand all information before operating the trolley. Save this manual for future use.



Do not open more than one drawer at a time.



Do not step on drawers.



Do not let children near the Toolbox.



Do not separate Chest from Trolley.



Do not exceed Drawer Load Limit



Not suitable for mounting in Vehicles



Lock drawers and lid before moving the Toolbox.



Parts List



Measurements:

(External - With Castors - 125 x 50mm (5 x 2") x2 Locking)

Weight: 96kg

WIDTH	1347 mm	DEPTH	466 mm	HEIGHT	963 mm
--------------	---------	--------------	--------	---------------	--------

Measurements - Top Section

WIDTH	1347 mm	DEPTH	466 mm	HEIGHT	15 mm
--------------	---------	--------------	--------	---------------	-------

Large Shallow Drawers (Left)

WIDTH	566 mm	DEPTH	405 mm	HEIGHT	62 mm
--------------	--------	--------------	--------	---------------	-------

Large Deep Drawers (Left)

WIDTH	566 mm	DEPTH	405 mm	HEIGHT	104 mm
--------------	--------	--------------	--------	---------------	--------

Large Shallow Drawers (Right)

WIDTH	566 mm	DEPTH	405 mm	HEIGHT	62 mm
--------------	--------	--------------	--------	---------------	-------

Large Deep Drawers (Right)

WIDTH	566 mm	DEPTH	405 mm	HEIGHT	104 mm
--------------	--------	--------------	--------	---------------	--------

Extra Large Top Drawer

WIDTH	1242 mm	DEPTH	405 mm	HEIGHT	104 mm
--------------	---------	--------------	--------	---------------	--------

Included



Keys x 2



Trolley Handle x 1



4 x Hex 5mm Bolts for Trolley Handle



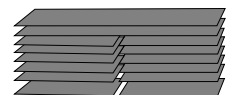
13mm x 24 Bolts (24) for Castors (with Washers)



Non-Locking Castors (3)



Locking Castors (3)



14 x Liners

**Tools & Assistance
Required for Trolley:**



2 People



For Castors:
13mm Spanner



For Handle:
5mm Hex Key

Tool Trolley

13 Drawer Extra Wide
1350mm (53")

K7963

Assembly Instructions

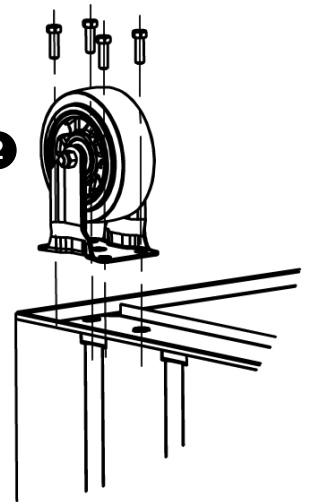
1 Handle Installing

- Position the trolley side handle behind the holes on the trolley.
- Attach with (4) bolts, and tighten with a 5mm Hex Key.

1



2



2 Castor Installing (If applicable)

- Be sure the drawers are locked and lay the trolley on its side.
- Secure castors to the unit using the 13mm bolts provided.
- Tighten with a 13mm Spanner.
- Repeat this process for the castors on the opposite of the trolley.
- Return the trolley to its upright position.

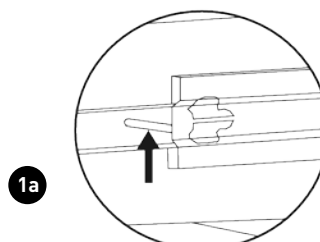
Caution: Do not over tighten the bolts.

Caution: Both locking castors must be fitted to front of trolley.

Maintenance

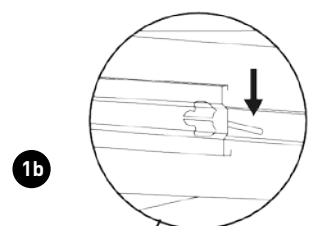
1 Removing the Drawers

- Fully extend the empty drawer.
- Push up the right grey release lever while pushing down the left grey release lever.
- Pull the drawer outward until it is released from the drawer slide.



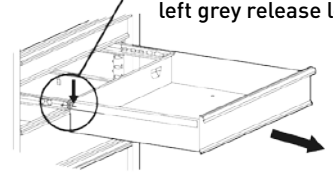
1a

Push up the right grey release lever



1b

Pull down the left grey release lever



2 Re-Inserting The Drawers

- Extend the drawer slides.
- Insert the brackets on each side of the drawer into the slots on the slides, being careful that they are properly positioned.
- Once properly inserted, completely close the drawer to set the slides in their proper positions.

- Periodically tighten all hardware
- Periodically lubricate castors
- Lubricate the slides twice a year
- Lubricate the lock with graphite annually
- Use a damp Microfibre cloth to clean all surfaces

KINCROME

EVOLUTION

Tool Trolley

13 Drawer Extra Wide
1350mm (53")

K7963

Parts List



Spare Parts

ITEM	PART NO.	DESCRIPTION	QUANTITY
1	K7999-10	Lock & Key	1
2	K7999-11	Key Only (Specify Number)	1
3	K7999-12	Trolley Handle	1
4	K7999-8	Ball Bearing Slide (Pair)	13

ITEM	PART NO.	DESCRIPTION	QUANTITY
5	K7999-29	Eva Mat Pack 14 Pce	1
6	K7999-13	Castor Swivel x 1	3
7	K7999-14	Castor Swivel x 1 (Brake)	3
8	K7999-15	Castor Bolt Pack	1

National Head Office
National Distribution and Showroom
3 Lakeview Dve, Caribbean Business Park
Scoresby Victoria 3179 Australia
ABN 41 007 185 006

Administration
T (03) 9730 7100 F (03) 9730 7199
E enquiries@kinchrome.com.au
W kinchrome.com.au

Customer Service Centre
T 1300 657 528 F 1300 556 005

Made to Kinchrome Tools & Equipment Pty Ltd Global specifications and quality standards in China
Kinchrome UK Ltd PO Box 468 Southampton SO30 9EP

Australia & Global	UK & EU
www.kinchrome.com.au	www.kinchrome.co.uk
enquiries@kinchrome.com.au	enquiries@kinchrome.co.uk