



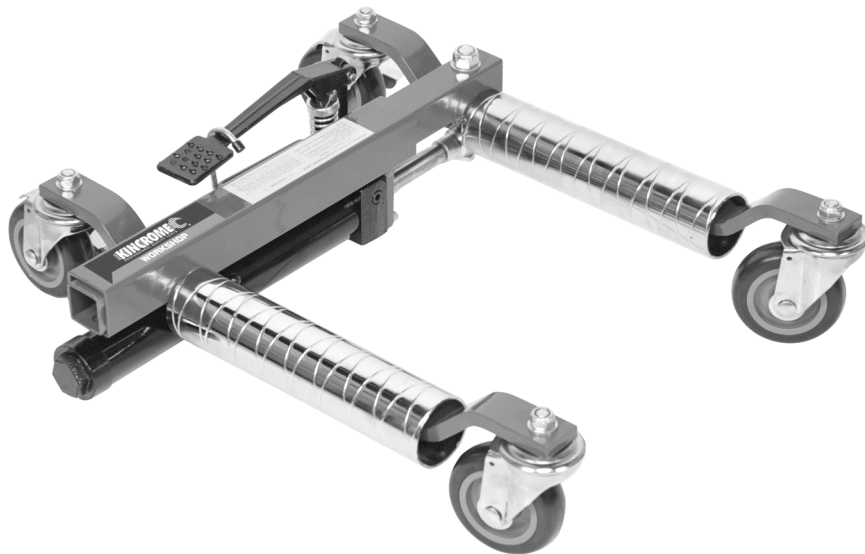
# **300 mm (12") HYDRAULIC VEHICLE POSITIONING JACK**

**CAPACITY: 684KG PER UNIT**

## **OWNER'S MANUAL**

**Part No. K12100 (1pce)**

**Part No. K12101 (2pce)**



**WARNING:** Read carefully and understand all **INSTRUCTIONS** before operating. Failure to follow the safety rules and other basic safety precautions may result in serious personal injury.

---

## GENERAL SAFETY RULES



**WARNING:** Read and understand all instructions. Failure to follow all instructions listed below may result in serious injury or death.



**WARNING:** The warnings, cautions, and instructions discussed in this instruction manual cannot cover all possible conditions or situations that could occur. It must be understood by the operator that common sense and caution are factors which cannot be built into this product, but must be supplied by the operator.

## SAVE THESE INSTRUCTIONS

### WORK AREA

- **Keep work area clean**, free of clutter and well lit. Cluttered and dark work areas can cause accidents.
- **Keep children and bystanders** away while operating this jack. Distractions can cause you to lose control, so visitors should remain at a safe distance from the work area.
- **Be aware of all power lines, electrical circuits**, water pipes and other mechanical hazards in your work area, particularly those hazards below the work surface hidden from the operator's view that may be unintentionally contacted and may cause personal harm or property damage.
- **Be alert of your surroundings.** Using jacks in confined work areas may put you dangerously close to cutting tools and rotating parts.

### PERSONAL SAFETY

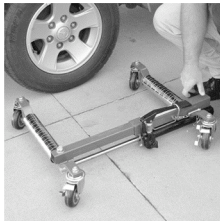
- **Stay alert**, watch what you are doing and use common sense when operating this jack. Do not use a jack while you are tired or under the influence of drugs, alcohol or medication. A moment of inattention while operating tools may result in serious personal injury.
- **Dress properly.** Do not wear loose clothing, dangling objects, or jewellery. Keep your hair, clothing and gloves away from moving parts. Loose clothes, jewellery or long hair can be caught in moving parts.
- **Use safety apparel and equipment.** Use safety goggles or safety glasses with side shields which comply with current national standards, or when needed, a face shield. This applies to all persons in the work area. Also use non-skid safety shoes, hardhat, gloves, dust collection systems, and hearing protection when appropriate.
- **Do not overreach.** Keep proper footing and balance at all times.

### TOOL USE AND CARE

- **Read all the instructions and warnings first before attempting to operate this jack.**
- **DO NOT** operate jack on inclined surfaces. Jack must be used on level surfaces only. Unanticipated motion can occur as soon as jack lifts tyre from surface.
- **DO NOT** overload jack beyond the load rating (684kgs per unit)

- **DO NOT** start the vehicle's engine, or drive a vehicle while the jack is in use. Jacks are designed for hand maneuvering of vehicles only.
- **DO NOT** use jack to lift tyres wider than 300mm (12").
- **DO NOT** attempt to push jack over obstacles. Jack is designed to be used on level and smooth surfaces only.
- **After lifting, be sure to always lock the pin in place before operating.** Pull the pin out after finishing work and then release the valve.
- **Do not force the tool.** Tools do a better and safer job when used in the manner for which they are designed. Plan your work, and use the correct tool for the job.
- **Store idle tools.** When tools are not in use, store them in a dry, secure place out of the reach of children. Inspect tools for good working condition prior to storage and before re-use.
- **Use only accessories that are recommended** by the manufacturer for your model. Accessories that may be suitable for one tool may create a risk of injury when used on another tool.
- **Never leave tool unattended.**

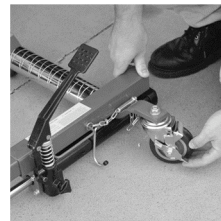
## OPERATION



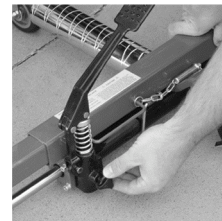
1. Position jack in front of vehicle wheel.



2. Remove Pedal retaining clip.



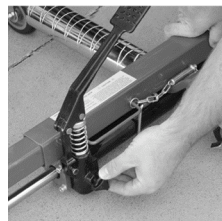
3. Ensure castor locks are in the "Off" position.



4. Ensure pump valve is open position.



5. Spread jack arms apart until they fit the vehicle wheel. You must leave 20mm gap between tyre and jack.



6. Close Pump valve.



7. Pump foot pedal until vehicle is raised from the ground and the locking pin hole is exposed.



8. Install safety locking pin and put castor lock in "on" position then repeat steps 1-8 on opposite wheel/s.



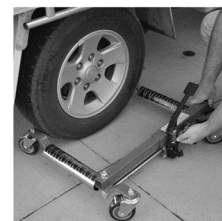
9. Once the vehicle is raised on both sides or all four wheels and the castor locks all turned off, it can easily be moved by pushing on the side of the vehicle to the desired position.



10. Once in the desired position place the castor locks in the "on" position.

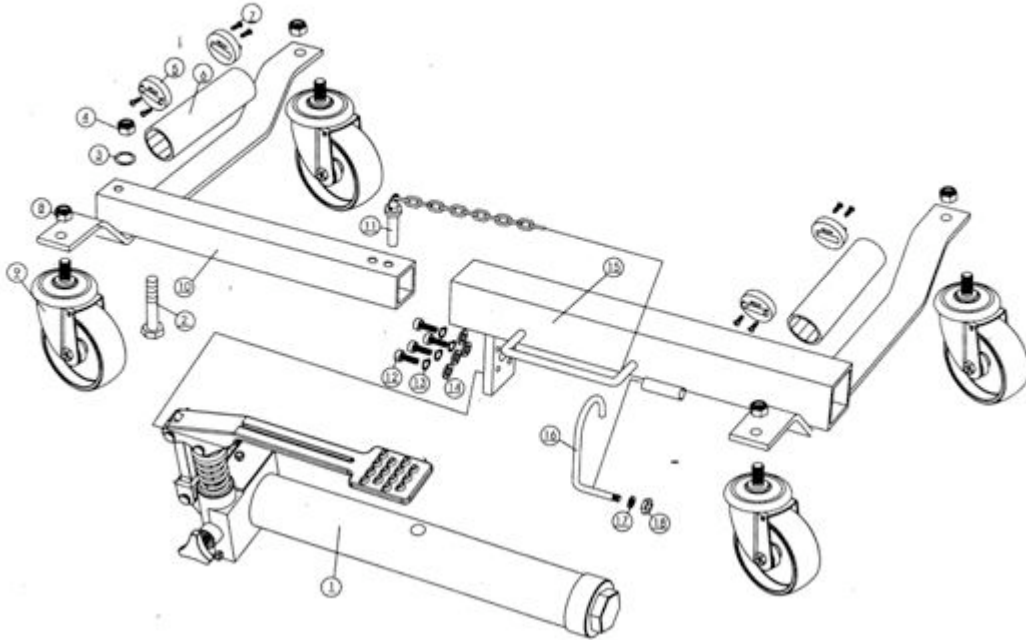


11. To lower vehicle put castor lock into "off" position, remove safety locking pin, and open pump valve.



12. Grasp grab handle and slide jack from under the vehicle.

## 12" VEHICLE POSITIONING JACK PARTS LIST



| Part#    | Description                  | Qty. | Part#     | Description                 | Qty. |
|----------|------------------------------|------|-----------|-----------------------------|------|
| K12100-1 | Ram Assembly                 | 1    | K12100-10 | Left Frame                  | 1    |
| K12100-2 | Bolt M16*115                 | 1    | K12100-11 | Lock Pin with Chain         | 1    |
| K12100-3 | Flat Washer $\varnothing$ 16 | 1    | K12100-12 | Screw M6*20                 | 4    |
| K12100-4 | Nut M16                      | 1    | K12100-13 | Lock Washer $\varnothing$ 6 | 4    |
| K12100-5 | Roller Raceway               | 4    | K12100-14 | Flat Washer $\varnothing$ 6 | 4    |
| K12100-6 | Roller                       | 2    | K12100-15 | Right Frame                 | 1    |
| K12100-7 | Raceway Lock Screw           | 8    | K12100-16 | Hook                        | 1    |
| K12100-8 | Lock Nut M12                 | 4    | K12100-17 | Washer for Hook             | 1    |
| K12100-9 | 4" Swivel Caster (1pce)      | 4    | K12100-18 | Nut for Hook                | 1    |
|          |                              |      | K12100-19 | Seal Kit                    | 1    |