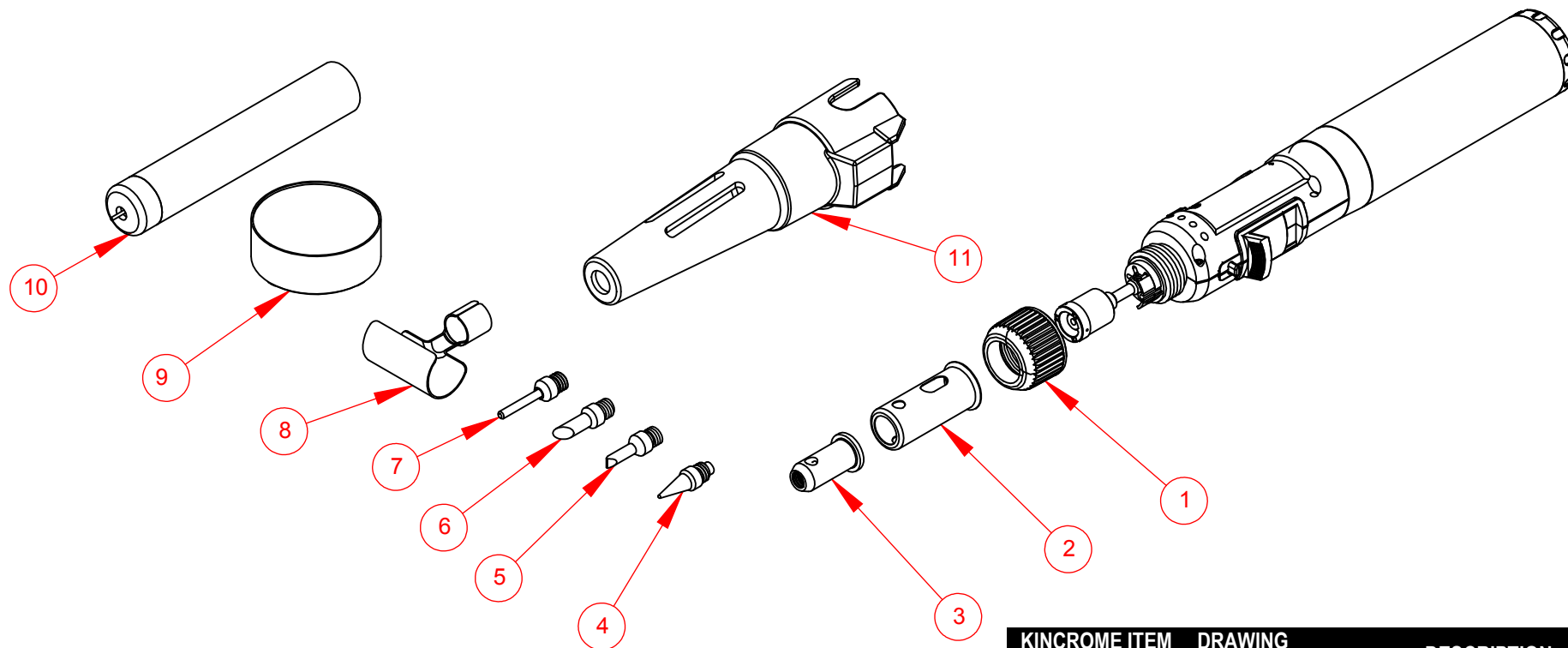


KP15001 Spare Parts Listing & Diagram



KINCROME ITEM NUMBER	DRAWING NUMBER	DESCRIPTION
KP15001-1	4	TIP POINT SOLDER KP15001
KP15001-2	3	SOLDERING TIP ASSEMBLY KP15001
KP15001-3	1 & 2	TORCH SHROUD LOCK NUT KP15001
KP15001-4	11	PROTECTIVE CAP KP15001
KP15001-5	8	DEFLECTOR KP15001
KP15001-6	5	TIP CHISEL SOLDERING KP15001
KP15001-7	6	TIP ANVIL SOLDERING KP15001
KP15001-8	7	TIP NEEDLE SOLDERING KP15001
KP15001-9	9	CLEANING TRAY/SPOUNGE KP15001
KP15001-10	10	SOLDER IN DISPENSER KP15001