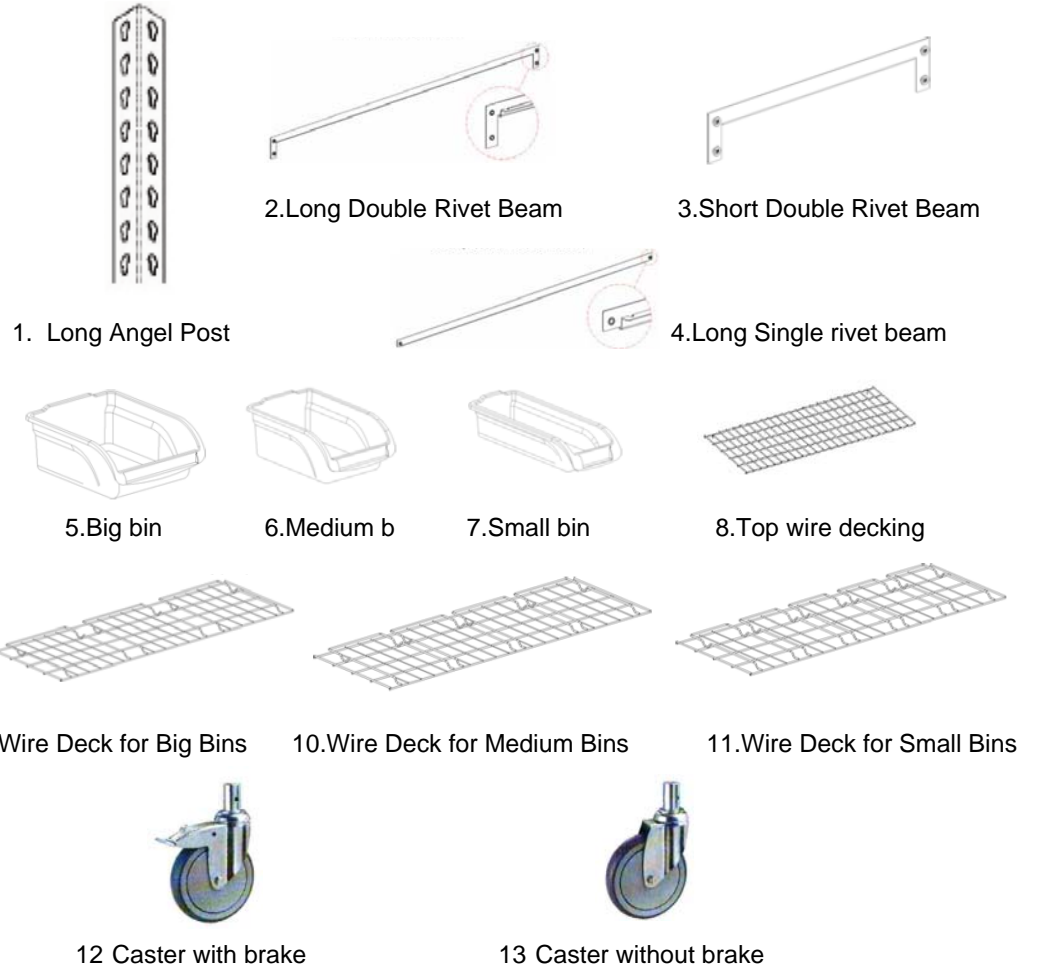




PARTS OVERVIEW



Assembly Instructions

Mobile storage rack

MADE IN CHINA

Model No.: K7106

Dimension: 85.5*39*90.5cm

Tool Required: Rubber Mallet

Safety Rules and Instructions

1. The mobile storage rack must be assemble and used on a level surface.
2. Evenly distribute the weight of load on each shelf, place the heaviest items on the bottom shelf.

Do not overload.

3. DO NOT STAND ON OR USE THE UNIT AS A LADDER.

4. Should there ever be a need to change the level of the shelf, be sure to disassemble and reassemble one level at a time.

5. Use a mallet to drive the rivet to the bottom of slots on the post. Hit the beam close to the connection.

6. Be sure that the rivets seat at the bottom of the slot.

7. To facilitate assembly we recommend having two persons assemble the rack.

MADE IN CHINA

Kincrome Australia Pty Ltd

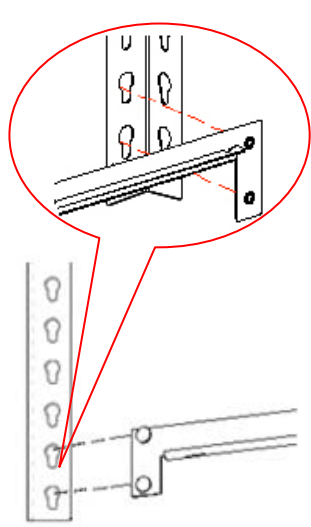
Contents

Item	Discription	Q'ty	Item	Discription	Q'ty
1	Angel post	4	8	Top wire decking	1
2	Long Double rivet beam	4	9	Wire decking for big bins	1
3	Short Double rivet beam	6	10	Wire Deck for Medium Bins	1
4	Long Single rivet beam	2	11	Wire Deck for Small Bins	3
5	Big bin	3	12	Caster with brake	2
6	Medium bin	4	13	Caster without brake	2
7	Small bin	15			

Assembly Instructions

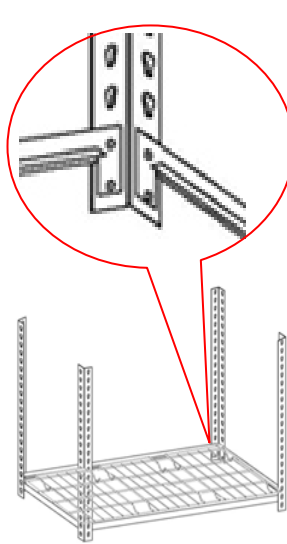
Tips

1. The posts are directional; the slot's tapered end must face downward.
2. Tap the beams close to the connection to assure the rivets seat at the bottom of the slot.
3. When assembling the beams the slot of the beam must face up to assure that the decking sits leveled.



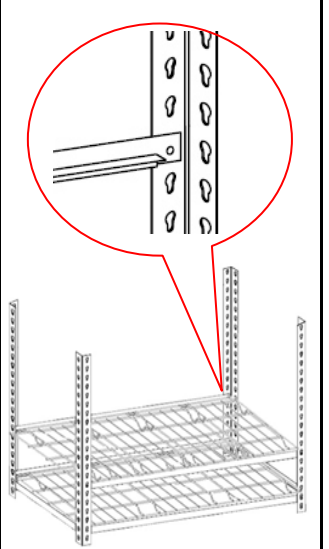
Step 1

Assemble two long posts(1) and two short Double Rivet Beam(3). Use the last slot from the bottom of the post. Be sure the slot of the beam is facing up. Tap the beams close to the connection and assure the rivets are seated at the bottom of the slot. Laying the big bin wire decking (9) on the bottom level.



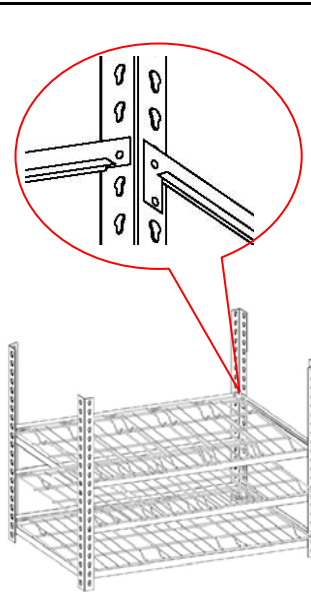
Step 2

Continue the assembly with two long single rivet beam, 4 slots higher than the bottom level. laying the medium bin wire decking (10) on this level.



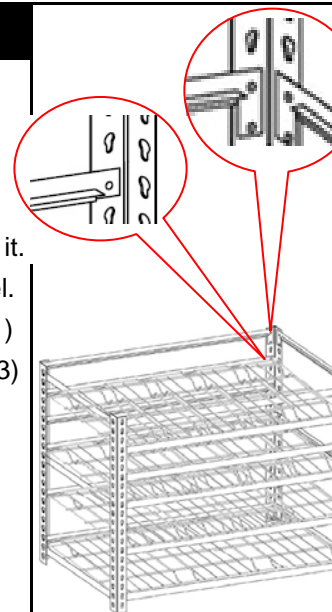
Step 3

Repeat step 2 but use the small bin wire decking. Assemble two short beam (3) on this level to enhance the construction.



Step 4

Continue with the assembly to add the small bin level, use two long single rivet beam(4) 2 slots higher than the last level, and put the small bin wire decking(11) on it. Repeat this step until the top level. Use two long double rivet beam(1) and two short double rivet beam(3) on the top level.



Step 5

Screw the four casters(12) (13) at the bottom of the four posts. Add the top wire decking(8) on the rack. Then put the three kinds of bins on the desired place.

