

# KINCROME C

PROFESSIONAL QUALITY TOOLS

## CHEST & CART COMBO 5 DRAWER

### TOOL CHEST & CART

Features  
& Specs

DUAL  
CART  
HANDLES

GLOSS  
BLACK UV  
POWDER  
COAT

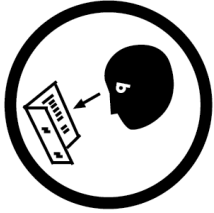
AUTOMATIC  
DRAWER RETENTION  
& BALL  
BEARING  
SLIDES

PVC  
DRAWER  
& TRAYLINES



Part No. K7745

## Operation Manual



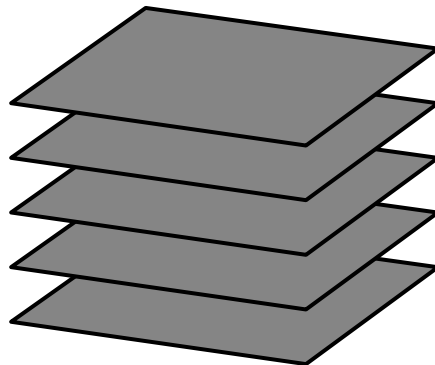
**⚠ IMPORTANT:**

*THIS OPERATING MANUAL CONTAINS IMPORTANT SAFETY INFORMATION. READ CAREFULLY AND UNDERSTAND ALL INFORMATION BEFORE OPERATING TOOL. SAVE THIS MANUAL FOR FUTURE USE.*

## Parts List



Ensure drawers are fully closed prior to closing lid and locking the chest



5 x Liners

## **TOOLS NEEDED**



2 People Lift

## Parts List



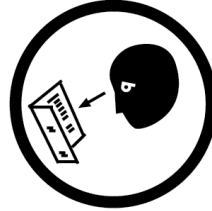
## Replacement Parts

ITEM	PART NO.	DESCRIPTION	QUANTITY
1	K7777	Lock & Key	1
2	K7779	Key Only (Specify Key Number)	1
3	K7748-5	Side Carry Handle (1)	1
4	K7748-14	Handle Cover	1
5	K7748-6	Ball Bearing Slide Set (2)	2
6	K7748-9	Alum Drawer Grip (Large)	1
7	K7748-11	Large Drawer	1

ITEM	PART NO.	DESCRIPTION	QUANTITY
8	K7748-4	Top Mould Edge (1)	1
9	K7748-3	Gas Strut (1)	1
10	K7748-12	EVA Mat Pack (8)	8
11	K7748-15	BB Slide Hard Close 35mm	2

## Operation Manual

TRAY LOAD LIMIT: 45kg  
TOTAL LOAD LIMIT: 150kg



### **! IMPORTANT:**

*THIS OPERATING MANUAL CONTAINS IMPORTANT SAFETY INFORMATION. READ CAREFULLY AND UNDERSTAND ALL INFORMATION BEFORE OPERATING TOOL. SAVE THIS MANUAL FOR FUTURE USE.*

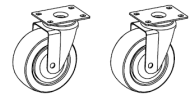
## Parts List



1 x Badge



32 x 5mm Hex Bolts for uprights



Non-Locking Castors (2)



32 x Washers



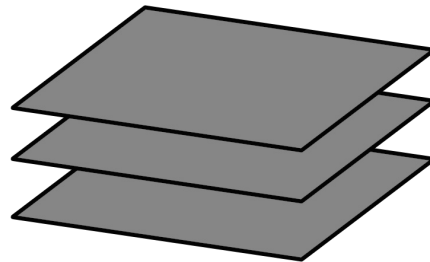
8 x 5mm Hex Bolts for Push Handles



Locking Castors (2)



13mm x 16 Bolt/Washer Kit for Castors



3 x Liners

2 x Trolley Handles



## TOOLS NEEDED



2 People Lift



13mm Spanner



5mm Hex Key

## Assembly Instructions

**Step 1:** Remove all contents from carton and reference the parts list ensuring you have all the parts

**Step 2:** Starting with the base shelf attach each vertical upright using the supplied 5mm hex bolts and washers  
**NOTE:** Do not fully tighten hex bolts until unit is assembled

**Step 3:** Repeat Step 1 for the middle and top shelf

**NOTE:** Fit the top shelf according to your preference, either Flat style or Tray style

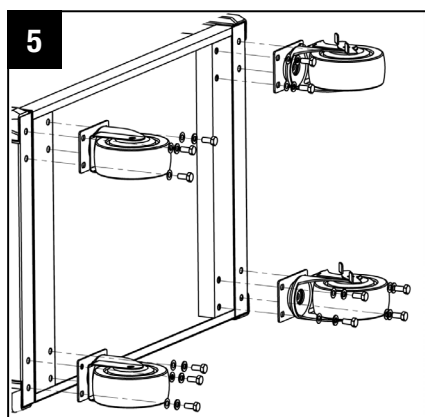
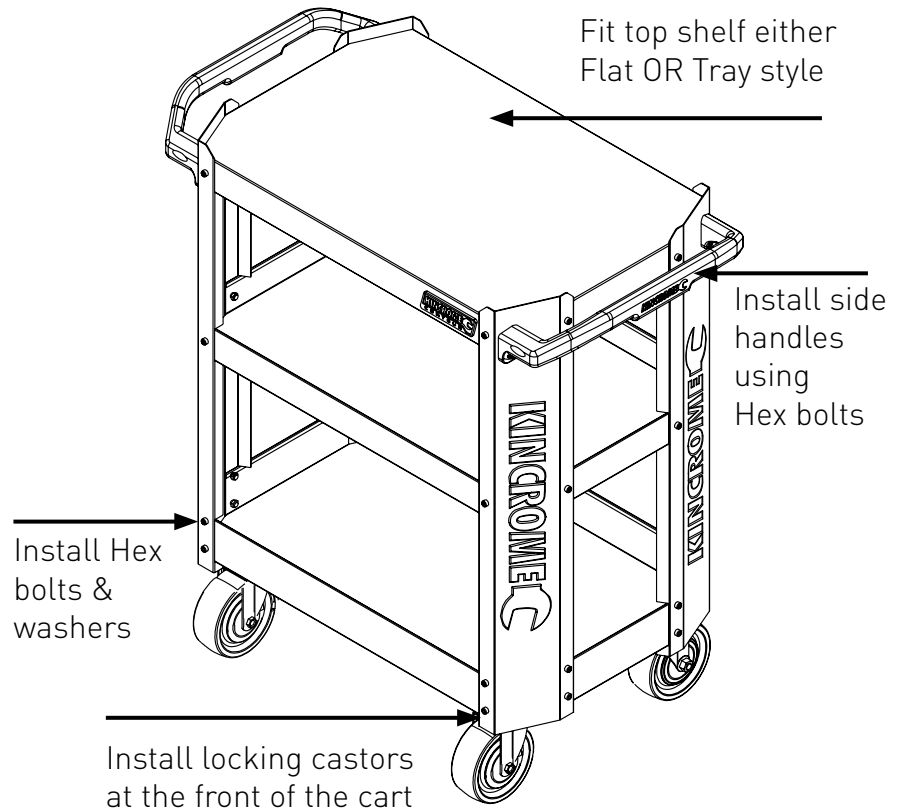
**NOTE:** Use flat style to fit a tool chest on top

**Step 4:** Tension all hex bolts ensuring they are tight

**Step 5:** Carefully lie the Cart on its side and fit the 4 swivel castors using the bolts and washers provided ensuring they are tightly fastened.

**NOTE:** Install the two locking castors on the same side so they can be easily accessed, we suggest fitting both to the forward facing side of the cart.

**Step 6:** Stand Cart back on the castors and fit the two side handles using the Hex bolts provided. Attach the Kinchrome badge to top right hand shelf and insert each tray mat placing the thick mat on the top shelf.



## Replacement Parts



## Replacement Parts

ITEM	PART NO.	DESCRIPTION	QUANTITY
1	K7743-1	Top Shelf	1
2	K7743-2	Middle Shelf	1
3	K7743-3	Bottom Shelf	1
4	K7743-4	EVA Mat Pack (3)	1
5	K7743-5	Side Handle (1)	1
6	K7743-6	Castor Pack (4)	1

ITEM	PART NO.	DESCRIPTION	QUANTITY
7	K7743-7	Badge	1
8	K7743-8	Hex Bolt/Washer Pack	1
9	K7743-9	Castor Bolt/ Washer Pack	1
10	K7743-10	Main Upright Left	1
11	K7743-11	Main Upright Right	1

## CAUTION: Take Safety Precautions when using your toolbox



Do not open more than one drawer at a time.



Do not step on drawers.



Do not let children near the Toolbox.



Do not separate Chest from Trolley.



Do not exceed Drawer Load Limit



Not suitable for mounting in Vehicles



Set the brake on the locking castors unless you are moving the Toolbox.



Lock drawers and lid before moving the Toolbox.

**12**  
**MONTH**  
**WARRANTY**

Warranty given by Kincrome Australia Pty Ltd of 3 Lakeview Drive, Caribbean Park, Scoresby, Victoria (Tel 1300 657 528). The applicable warranty period (12 months) commences on the date that the product is purchased. If this product has materials or workmanship defects (other than defects caused by abnormal or non warranted use) you can, at your cost, send the product to place of purchase, an authorised Kincrome service agent or one of Kincromes addresses for repair or replacement. Your rights under this warranty are in addition to any other rights you have under the Australian Consumer Law or other applicable laws. Our goods come with guarantees that cannot be excluded under the Australian Consumer Law. You are entitled to a replacement or refund for a major failure and compensation for any other reasonably foreseeable loss or damage. You are also entitled to have the goods repaired or replaced if the goods fail to be of acceptable quality and the failure does not amount to a major failure. For further details please visit [www.kincrome.com.au](http://www.kincrome.com.au) or call us. Due to minor changes in design or manufacture, the product you purchase may sometimes differ from the one shown on the packaging.