



Parts Manual

Mfg. No: 030697-00
2,200 Watt Briggs & Stratton Inverter



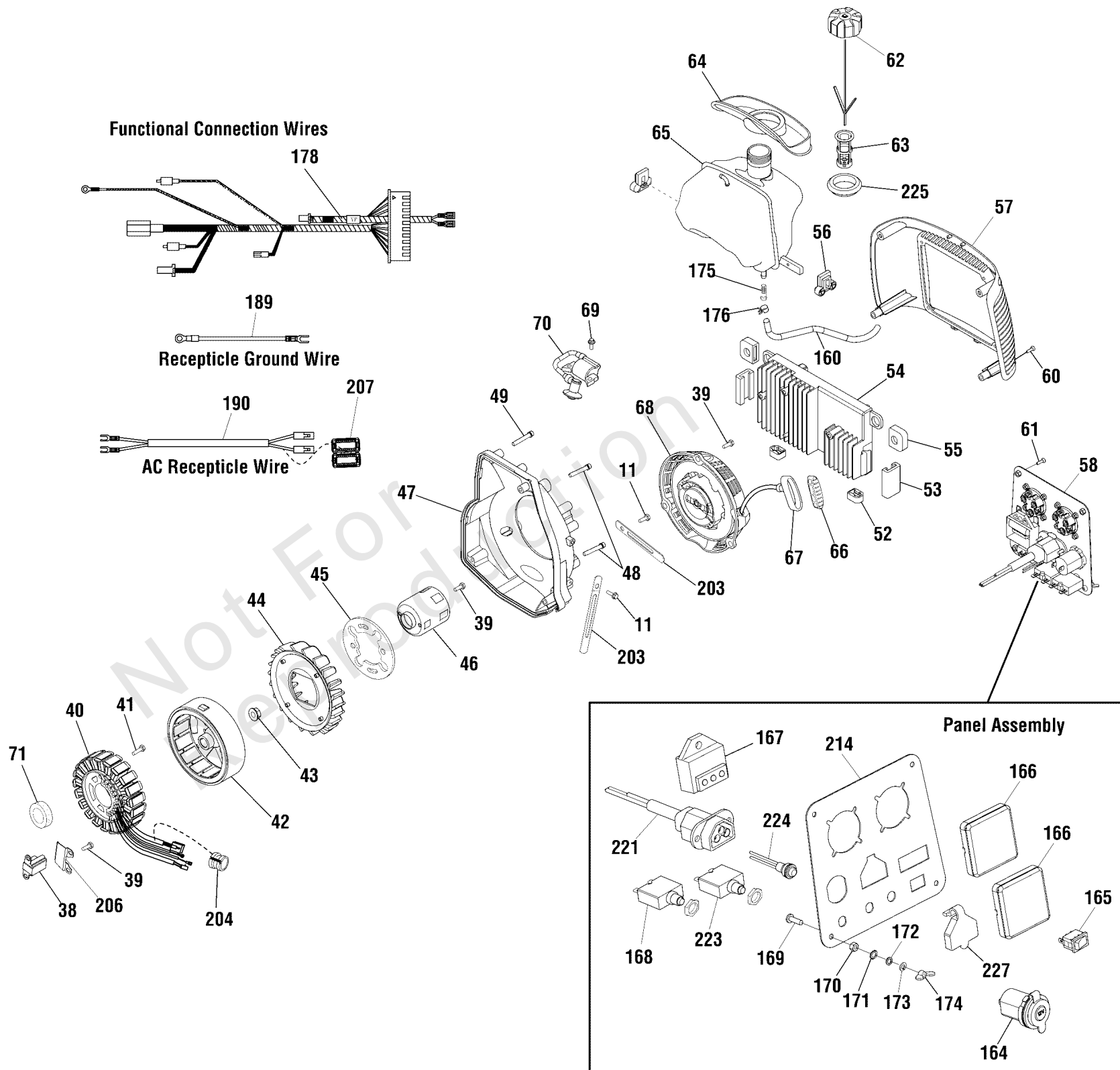
Model Components	Page
Alternator & Control Panel (80020881P1).....	4
Engine (80020881P3).....	8
Main Unit (80020881P2).....	12
Wiring Diagram (80014393WD).....	16
Torque Specification Chart.....	18

Not For
Reproduction

Alternator & Control Panel (80020881P1)

Note: Unless noted otherwise, use the standard torque specifications

Mfg. No: 030697-00



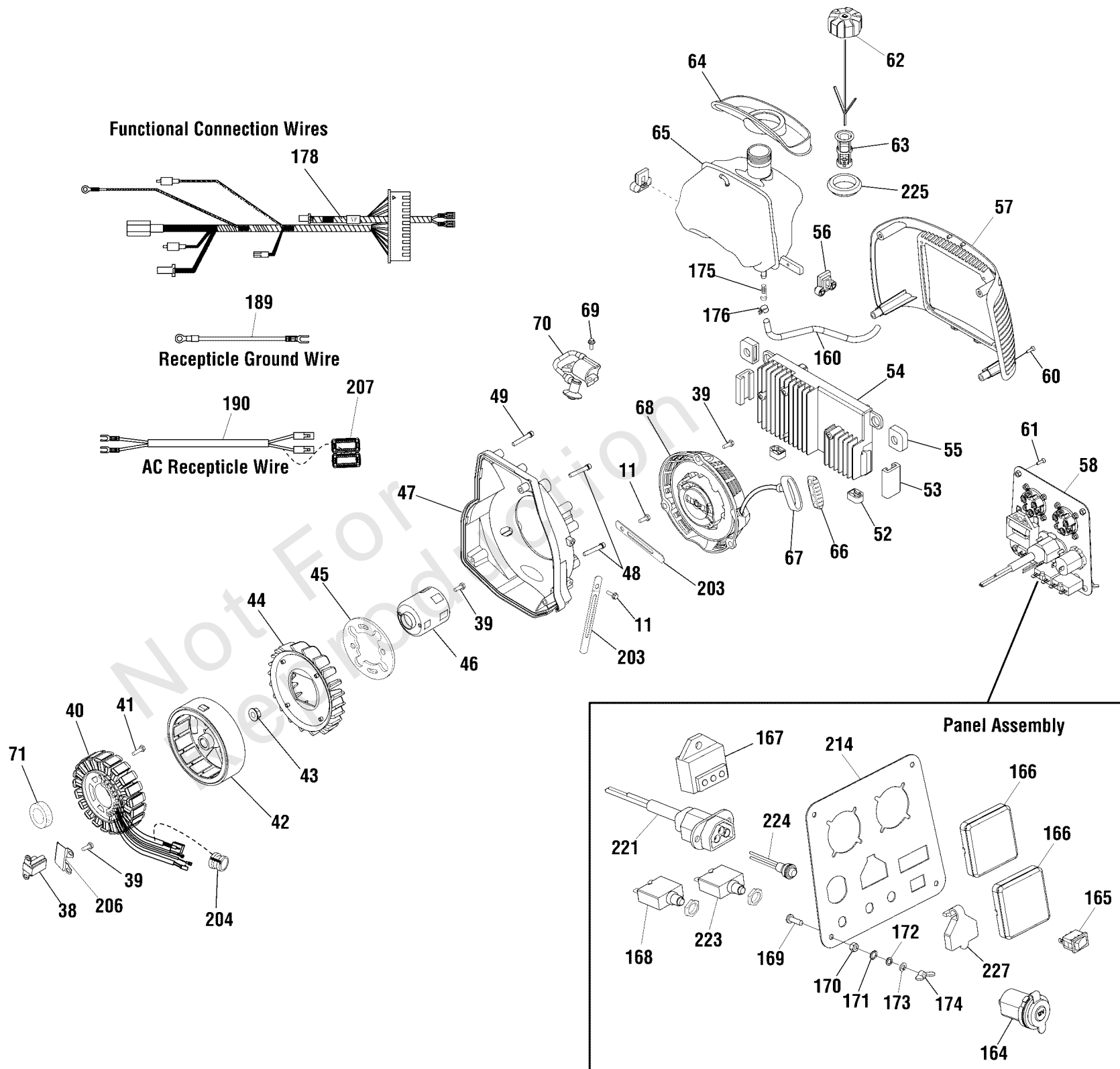
Alternator & Control Panel (80020881P1)

REF NO	PART NO	QTY	DESCRIPTION
11			BOLT
38	311399GS		TRIGGER-IGNITION
39	311400GS		SCREW
40	707590		STATOR
41	311402GS		SCREW
42	707951		ROTOR
43	311404GS		NUT
44	314701GS		FAN
45			TERMINAL
46	311406GS		CUP-FLYWHEEL
47			COVER-FAN
48			BOLT
49			BOLT
52			MOUNT-VIBRATION
53			MOUNT-VIBRATION
54	704127		INVERTER
55			MOUNT-VIBRATION
56			MOUNT-VIBRATION
57	311409GS		COVER-PANEL
58	704079		PANEL-CONTROL ASSY
60			SCREW
61			SCREW
62	317134GS		CAP-FUEL
63	317441GS		FILTER-FILLER NECK
64	707595		PAD-FUEL TANK
65	707596		TANK-FUEL
66	311414GS		INSERT-GRIP
67			GRIP
68	706058		STARTER-REWIND
69			SCREW
70	317436GS		COIL-IGNITION
71			SEAL-OIL
160	707167		HOSE-FUEL
164	314531GS		OUTLET
165	311442GS		SWITCH
166	314532GS		OUTLET
167	311443GS		LIGHT-INDICATOR
168	311444GS		CIRCUIT BREAKER
169	76040GS		SCREW
170	207743GS		NUT
171	91719GS		WASHER
172	207806GS		WASHER
173	207805GS		WASHER
174	187424GS		WING NUT
175	707168		FILTER-FUEL TANK
176			CLAMP
178	314533GS		HARNESS-WIRING
189	315824GS		WIRE
190	315829GS		HARNESS-WIRING
203			BRACKET
204			COVER-RUBBER

Alternator & Control Panel (80020881P1)

Note: Unless noted otherwise, use the standard torque specifications

Mfg. No: 030697-00



Alternator & Control Panel (80020881P1)

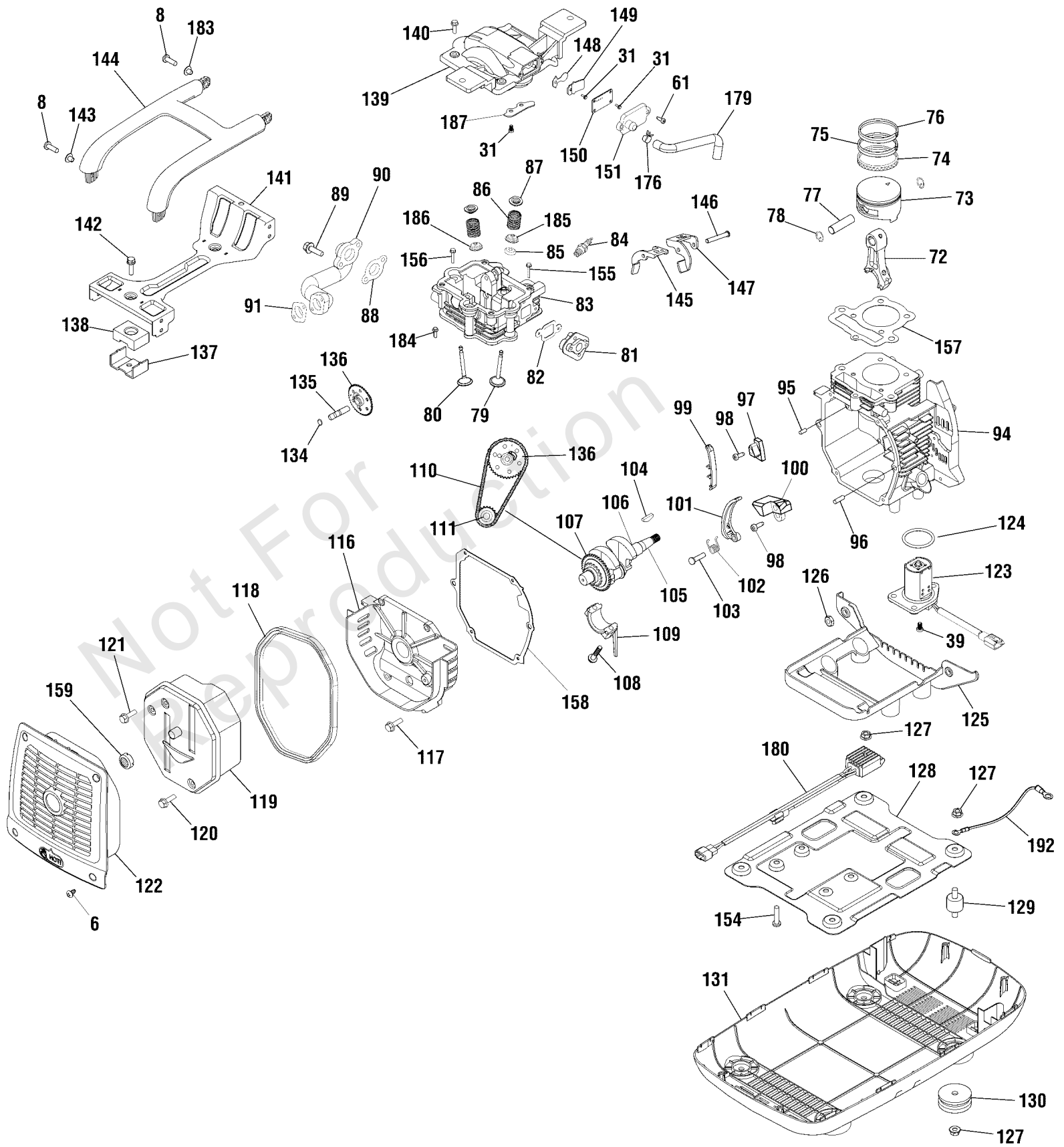
REF NO	PART NO	QTY	DESCRIPTION
206			PROTECTOR BOARD
207	317445GS		BEAD-FERRITE
214	704126		PANEL-CONTROL
221	705488		SOCKET
223	707170		CIRCUIT BREAKER, 15A
224	319463GS		BUTTON-SELECT
225	705490		GROMMET
227	705478		COVER
--	187876GS		CABLE-BTTRY CHARGE -(Not Illustrated)
--	100005		OIL -(Not Illustrated)
--	707850		ADAPTER-USB -(Not Illustrated)
--	706357		FUNNEL -(Not Illustrated)
--	703574		KIT-TOOL -(Not Illustrated)
--	311559GS		JET-MAIN, High Altitude, 5000 ft -(Optional Accessory)

Not For
Reproduction

Engine (80020881P3)

Note: Unless noted otherwise, use the standard torque specifications

Mfg. No: 030697-00



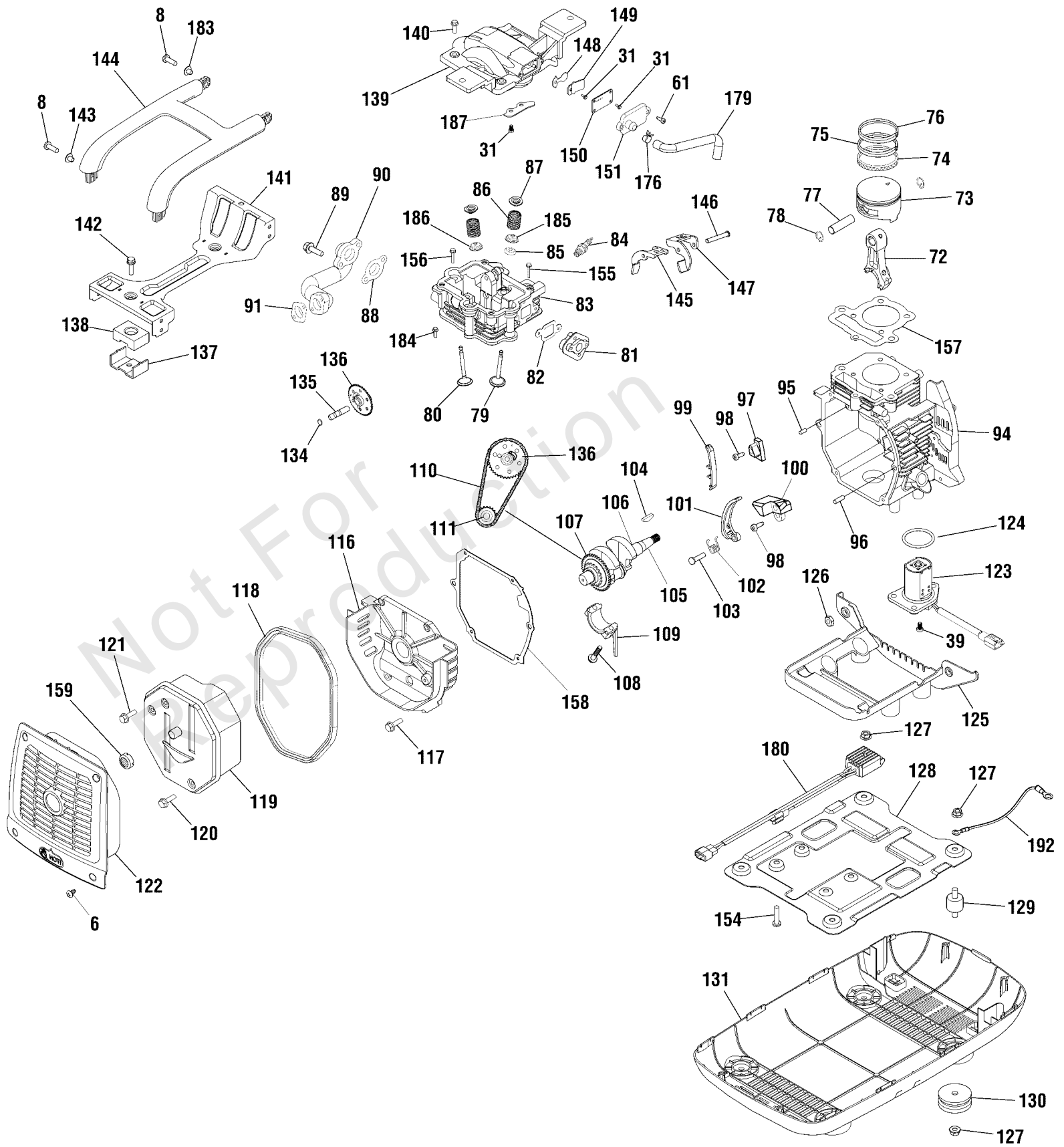
Engine (80020881P3)

REF NO	PART NO	QTY	DESCRIPTION
6	311379GS		SCREW
8	311381GS		BOLT
31			BOLT
39	311400GS		SCREW
61			SCREW
72			ROD
73			PISTON
74			RING
75			RING
76			RING
77			PIN
78			RETAINER-PIN
79			VALVE-INTAKE
80			VALVE-EXHAUST
81	311417GS		INSULATOR
82	311418GS		GASKET-INTAKE
83			CYLINDER HEAD
84	311419GS		SPARKPLUG
85			SEAL-VALVE OIL
86			SPRING
87			SEAT-VALVE
88	311420GS		GASKET
89			BOLT
90			MUFFLER
91	311421GS		GASKET-EXHAUST
94			CRANKCASE
95			PIN
96			PIN
97			BLOCK
98			SCREW
99			BRACKET
100			BRACKET
101			ARM-TENSION
102			SPRING
103			PIN
104			KEY
105			CRANKSHAFT
106			BEARING
107			GEAR
108			BOLT
109			COVER
110			CHAIN
111			WHEEL-CHAIN
116			COVER-CRANKCASE
117			BOLT
118			BLOCK-RUBBER
119			MUFFLER
120			BOLT
121			BOLT
122	704069		GUARD-MUFFLER
123	311423GS		SENSOR-OIL

Engine (80020881P3)

Note: Unless noted otherwise, use the standard torque specifications

Mfg. No: 030697-00



Engine (80020881P3)

REF NO	PART NO	QTY	DESCRIPTION
124	314482GS		O-RING
125			COVER
126			NUT
127	707919		NUT
128	311425GS		BASE
129	311426GS		MOUNT-VIBRATION
130	311427GS		MOUNT-VIBRATION
131	311428GS		COVER
134			O-RING
135			SHAFT
136			CAM-ASSEMBLY
137			BRACKET
138			MOUNT-VIBRATION
139	314786GS		COVER-CYLINDER
140			BOLT
141			BRACKET
142			BOLT
143	311431GS		BUSHING
144	311432GS		HANDLE
145			ARM-EXHAUST VALVE
146			PIN
147			ARM-INTAKE VALVE
148	314747GS		VALVE
149	314748GS		BOARD-VALVE
150			BOARD-VALVE
151			BOARD-VALVE
154			BOLT
155			BOLT
156			BOLT
157			GASKET
158	311435GS		GASKET-CRANKCASE
159	315584GS		ARRESTOR-SPARK
176			CLAMP
179	311446GS		TUBE-BREATHER
180	311407GS		REGULATOR-VOLTAGE
183	314478GS		BUSHING
184			BOLT
185			SEAT
186			SEAT
187			PLATE
192	314483GS		WIRE-GROUND

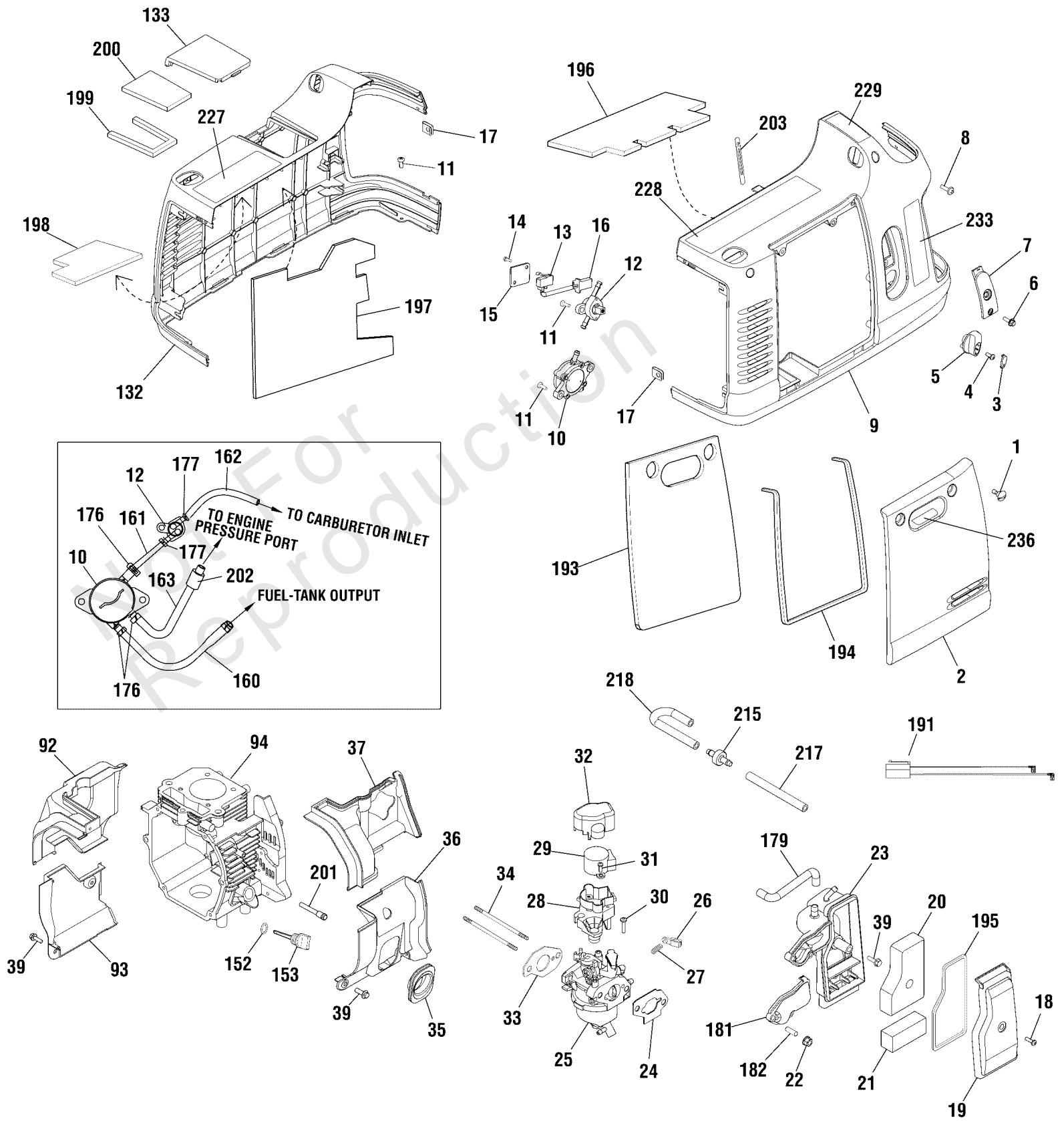
Main Unit (80020881P2)

REF NO	PART NO	QTY	DESCRIPTION
1	311375GS		BOLT
2	315939GS		PANEL-ACCESS -(Includes Ref. Nos. 193, 194 & 236)
3	311377GS		COVER-KNOB
4			BOLT
5	707587		KNOB
6	311379GS		SCREW
7	311380GS		PLATE-TRIM
8	311381GS		BOLT
9	704072		COVER-SIDE -(Includes Ref. Nos. 196, 228, 229 & 233)
10	706057		PUMP-FUEL
11			SCREW
12	311384GS		VALVE-FUEL
13	311385GS		SWITCH-ON/OFF
14			BOLT
15			COVER-SWITCH
16			CONNECTION
17			NUT
18	311386GS		BOLT
19	311387GS		COVER-AIR CLEANER -(Includes Ref. No. 195)
20	311388GS		FILTER-A/C FOAM
21	311389GS		FILTER-A/C FOAM
22			NUT
23	317437GS		BASE-AIR CLEANER
24	311391GS		GASKET-AIR CLEANER
25	311392GS		CARBURATOR
26	311393GS		ROD-THROTTLE
27			SPRING
28	311394GS		BRACKET
29	311395GS		MOTOR-STEPPER
30			BOLT
31			BOLT
32	311396GS		COVER
33	311397GS		GASKET
34	311398GS		STUD
35			SEAL-RUBBER
36			DEFLECTOR
37			DEFLECTOR
39	311400GS		SCREW
92			DEFLECTOR
93			DEFLECTOR
94			CRANKCASE
132	704078		COVER-SIDE -(Includes Ref. Nos. 197, 198 & 227)
133	704248		COVER-SPARK PLUG -(Includes Ref. Nos. 199 & 200)
152	705492		OIL SEAL
153	311434GS		DIPSTICK
160	704623		HOSE-FUEL
161	317444GS		HOSE-FUEL
162	317752GS		HOSE-FUEL

Main Unit (80020881P2)

Note: Unless noted otherwise, use the standard torque specifications

Mfg. No: 030697-00



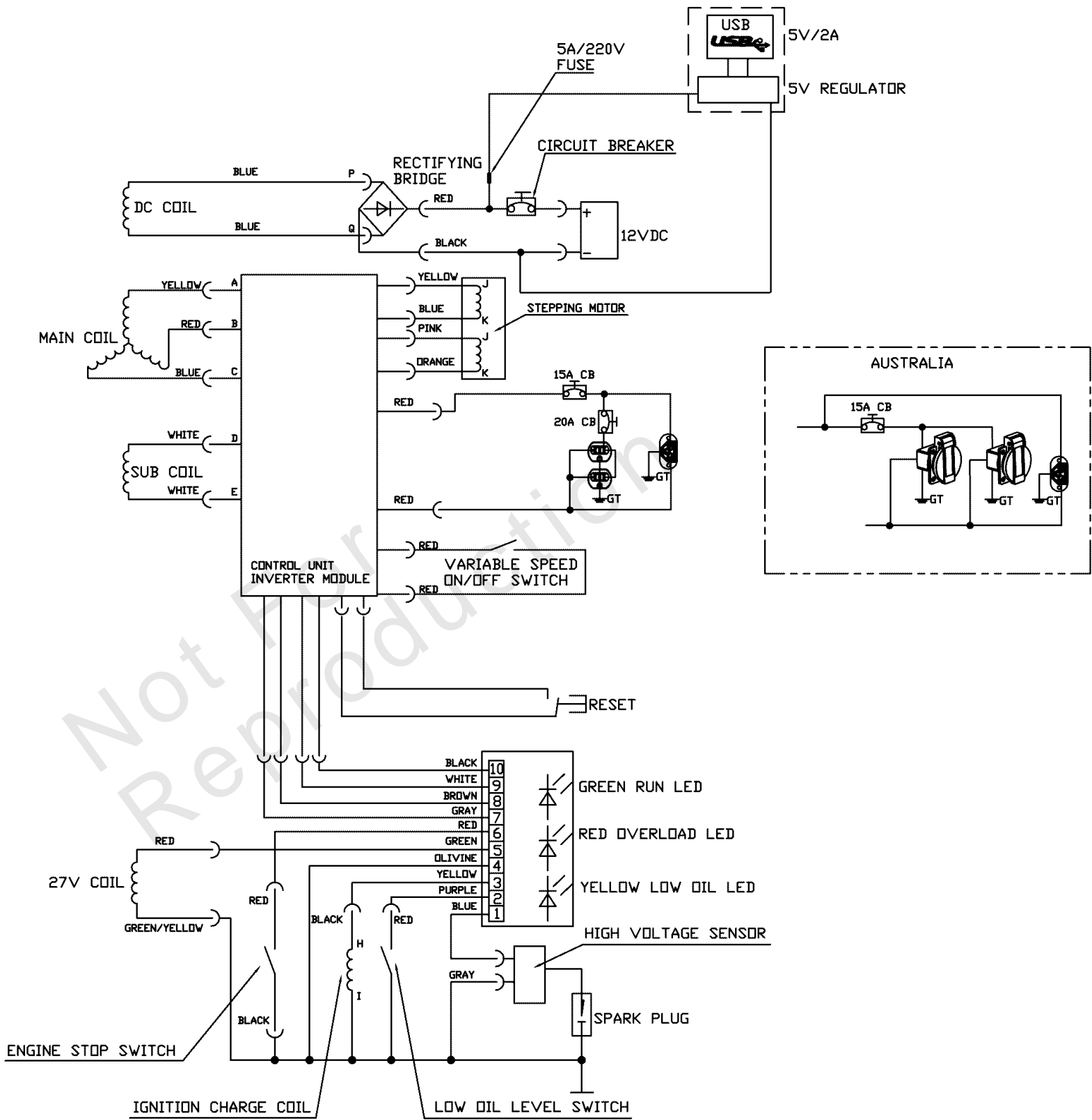
Main Unit (80020881P2)

REF NO	PART NO	QTY	DESCRIPTION
163	311440GS		HOSE-VACUUM
176			CLAMP
177			CLAMP
179	311446GS		HOSE
181	312861GS		COVER-AIR CLEANER
182			SLEEVE
191	314479		WIRE
193			FOAM
194			SEAL
195			SEAL
196			FOAM
197			FOAM
198			FOAM
199			SEAL
200			FOAM
201			CYLINDER-BREATHING TUBE
202			TUBE
203			BRACKET
215	317108GS		CHECK VALVE
217	317446GS		HOSE
218	317447GS		HOSE
227	704124		DECAL
228	704131		DECAL
229	704076		DECAL
233	707605		DECAL
236	705967		DECAL

Wiring Diagram (80014393WD)

Note: Unless noted otherwise, use the standard torque specifications

Mfg. No: 030697-00



Wiring Diagram (80014393WD)

REF NO	PART NO	QTY	DESCRIPTION
--			Wiring Diagram Only
	WARNING		Generator voltage could cause electrical shock or burn resulting in death or serious injury. To avoid electrical shock or burn hazard, please refer service to qualified personnel.

Not For
Reproduction

Hardware Identification & Torque Specifications

Torque Specification Chart								
FOR STANDARD METRIC MACHINE HARDWARE (Tolerance ± 20%)								
Property Class	5.6		8.8		10.9		12.9	
	Class 5.6		Class 8.8		Class 10.9		Class 12.9	
Size Of Hardware	in/lbs	Nm.	in/lbs	Nm.	in/lbs	Nm.	in/lbs	Nm.
	ft/lbs		ft/lbs		ft/lbs		ft/lbs	
M3	5.88	.56	13.44	1.28	19.2	1.80	22.92	2.15
M4	13.44	1.28	30.72	2.90	43.44	4.10	52.56	4.95
M5	26.4	2.50	60.96	5.75	5.97	8.10	7.15	9.7
M6	44.64	4.3	7.3	9.9	10.3	14	12.1	16.5
M7	5.2	7.1	12.1	16.5	16.9	23	19.9	27
M8	7.7	10.5	17.7	24	25	34	29	40
M10	15	21	35	48	50	67	59	81
M12	26	36	61	83	86.2	117	103	140
M14	42	58	101	132	136	185	162	220
M16	64	88	147	200	210	285	250	340
M18	89	121	202	275	287	390	346	470
M20	126	171	290	390	405	550	486	660
M22	169	230	390	530	559	745	656	890
M24	217	295	497	375	708	960	840	1140
M27	320	435	733	995	1032	1400	1239	1680
M30	435	590	995	1350	1401	1900	1681	2280
M33	590	800	1349	1830	1902	2580	2278	3090
M36	759	1030	1740	2360	2441	3310	2935	3980
M39	988	1340	2249	3050	3163	4290	3798	5150

Torque Specification Chart						
FOR STANDARD MACHINE HARDWARE (Tolerance ± 20%)						
Hardware Grade	No Marks		SAE Grade 5		SAE Grade 8	
	SAE Grade 2		SAE Grade 5		SAE Grade 8	
Size Of Hardware	in/lbs	Nm.	in/lbs	Nm.	in/lbs	Nm.
	ft/lbs		ft/lbs		ft/lbs	
8-32	19	2.1	30	3.4	41	4.6
8-36	20	2.3	31	3.5	43	4.9
10-24	27	3.1	43	4.9	60	6.8
10-32	31	3.5	49	5.5	68	7.7
1/4-20	66	7.6	8	10.9	12	16.3
1/4-28	76	8.6	10	13.6	14	19.0
5/16-18	11	15.0	17	23.1	25	34.0
5/16-24	12	16.3	19	25.8	29	34.0
3/8-16	20	27.2	30	40.8	45	61.2
3/8-24	23	31.3	35	47.6	50	68.0
7/16-14	30	40.8	50	68.0	70	95.2
7/16-20	35	47.6	55	74.8	80	108.8
1/2-13	50	68.0	75	102.0	110	149.6
1/2-20	55	74.8	90	122.4	120	163.2
9/16-12	65	88.4	110	149.6	150	204.0
9/16-18	75	102.0	120	163.2	170	231.2
5/8-11	90	122.4	150	204.0	220	299.2
5/8-18	100	136	180	244.8	240	326.4
3/4-10	160	217.6	260	353.6	386	525.0
3/4-16	180	244.8	300	408.0	420	571.2
7/8-9	140	190.4	400	544.0	600	816.0
7/8-14	155	210.8	440	598.4	660	897.6
1-8	220	299.2	580	788.8	900	1,244.0
1-12	240	326.4	640	870.4	1,000	1,360.0

The guides and ruler furnished below are designed to help you select the appropriate hardware.

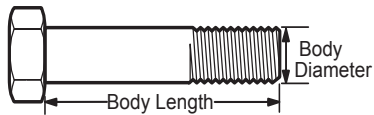


Nut, M8

Thread Diameter (mm)

Inside Diameter (in) Threads per inch

Nut, 1/2-16

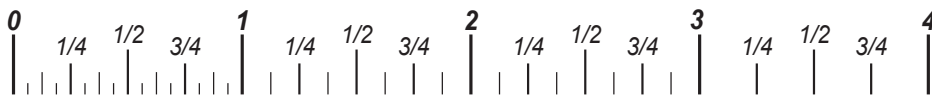


Screw, M8- 1.25 x 25

Thread Diameter (mm) Distance between threads (mm) Body Length (mm)

Body Diameter Threads per inch Body Length (in)

Screw, 1/2- 16 x 2



Standard Hardware Sizing

When a washer or nut is identified as 1/2" (M8), this is the *Nominal size*, meaning the *inside diameter* is 1/2 inch (8mm metric thread diameter); if a second number is present it represents the *threads per inch* (distance between threads).

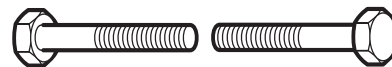
When bolt or capscrew is identified as 1/2 - 16 x 2" (M8 - 1.25 x 50), this means the *Nominal size*, or body diameter is 1/2 inch (8mm metric thread diameter), the second number, 16, represents the *threads per inch*, (*distance between threads*). The final number is the body length of the bolt or screw, 2 inches (50mm).

NOTES

- These torque values are to be used for all hardware excluding: locknuts, self-tapping screws, thread forming screws, sheet metal screws and socket head setscrews.
- Recommended seating torque values for locknuts:
 - for prevailing torque locknuts - use 65% of grade 5 torques.
 - for flange whizlock nuts and screws - use 135% of grade 5 torques.
- Unless otherwise noted on assembly drawings, all torque values must meet this specification.

Common Hardware Types

Hex Head Capscrew



Washer



Carriage Bolt



Hex Nut

Wrench & Fastener Size Guide

1/4" Bolt or Nut Wrench—7/16"	5/16" Bolt or Nut Wrench—1/2"	3/8" Bolt or Nut Wrench—9/16"	7/16" Bolt or Nut Wrench (Bolt)—5/8" Wrench (Nut)—11/16"	1/2" Bolt or Nut Wrench—3/4"
M6 Bolt or Nut Wrench—10mm	M8 Bolt or Nut Wrench—13mm	M10 Bolt or Nut Wrench—17mm	M12 Bolt or Nut Wrench—19mm	M14 Bolt or Nut Wrench—22mm

