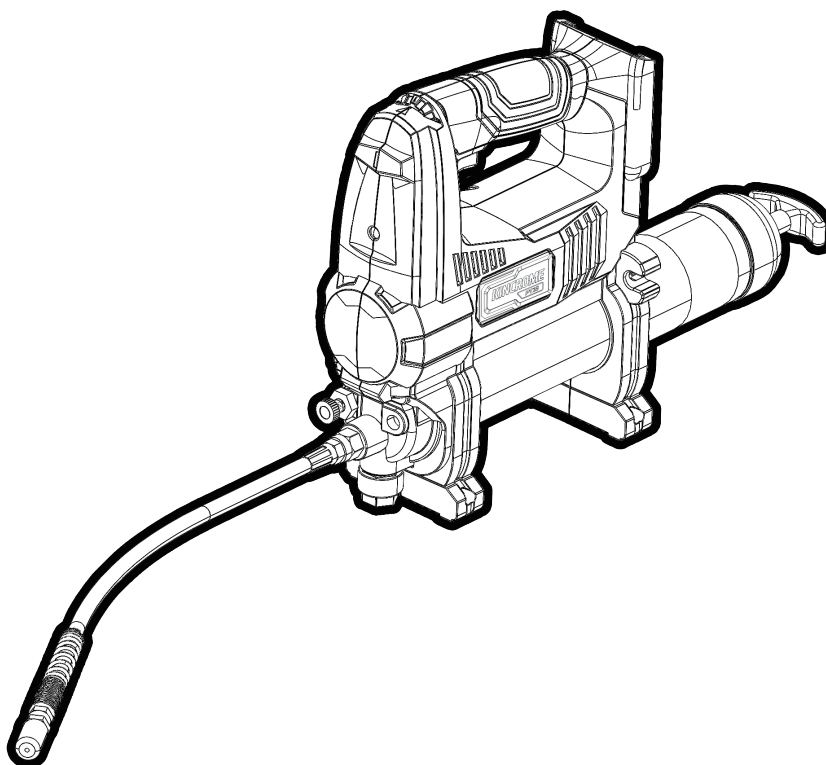


KINCROME **PT18**

18V Grease Gun



K23030

ED1 DECEMBER 2023

General Power Tool Safety Warnings

K23030



WARNING Read all safety warnings and all instructions. Failure to follow the warnings and instructions may result in electric shock, fire and/or serious injury. Save all warnings and instructions for future reference. The term "power tool" in the warnings refers to your mains-operated (corded) power tool or battery-operated (cordless) power tool.

1) Work area safety

- a) **Keep work area clean and well lit.**
Cluttered or dark areas invite accidents.
- b) **Do not operate power tools in explosive atmospheres, such as in the presence of flammable liquids, gases or dust.** *Power tools create sparks which may ignite the dust or fumes.*
- c) **Keep children and bystanders away while operating a power tool.** *Distractions can cause you to lose control.*

2) Electrical safety

- a) **Power tool plugs must match the outlet. Never modify the plug in any way. Do not use any adapter plugs with earthed (grounded) power tools.** *Unmodified plugs and matching outlets will reduce risk of electric shock.*
- b) **Avoid body contact with earthed or grounded surfaces, such as pipes, radiators, ranges and refrigerators.** *There is an increased risk of electric shock if your body is earthed or grounded.*
- c) **Do not expose power tools to rain or wet conditions.** *Water entering a power tool will increase the risk of electric shock.*
- d) **Do not abuse the cord. Never use the cord for carrying, pulling or unplugging the power tool. Keep cord away from heat, oil, sharp edges or moving parts.** *Damaged or entangled cords increase the risk of electric shock.*
- e) **When operating a power tool outdoors, use an extension cord suitable for outdoor use.** *Use of a cord suitable for outdoor use reduces the risk of electric shock.*
- f) **If operating a power tool in a damp location is unavoidable, use a residual current device (RCD) protected supply.** *Use of an RCD reduces the risk of electric shock.*

3) Personal safety

- a) **Stay alert, watch what you are doing and use common sense when operating a power tool. Do not use a power tool while you are tired or under the influence of drugs, alcohol or medication.** *A moment of inattention while operating power tools may result in serious personal injury.*
- b) **Use personal protective equipment. Always wear eye protection.** *Protective equipment such as dust mask, non-skid safety shoes, hard hat, or hearing protection used for appropriate conditions will reduce personal injuries.*
- c) **Prevent unintentional starting. Ensure the switch is in the off-position before connecting to power source and/or battery pack, picking up or carrying the tool.** *Carrying power tools with your finger on the switch or energising power tools that have the switch on invites accidents.*
- d) **Remove any adjusting key or wrench before turning the power tool on.** *A wrench or a key left attached to a rotating part of the power tool may result in personal injury.*

- e) **Do not overreach. Keep proper footing and balance at all times.** *This enables better control of the power tool in unexpected situations.*
- f) **Dress properly. Do not wear loose clothing or jewellery. Keep your hair, clothing and gloves away from moving parts.** *Loose clothes, jewellery or long hair can be caught in moving parts.*
- g) **If devices are provided for the connection of dust extraction and collection facilities, ensure these are connected and properly used.** *Use of dust collection can reduce dust-related hazards.*

4) Power tool use and care

- a) **Do not force the power tool. Use the correct power tool for your application.** *The correct power tool will do the job better and safer at the rate for which it was designed.*
- b) **Do not use the power tool if the switch does not turn it on and off.** *Any power tool that cannot be controlled with the switch is dangerous and must be repaired.*
- c) **Disconnect the plug from the power source and/or the battery pack from the power tool before making any adjustments, changing accessories, or storing power tools.** *Such preventive safety measures reduce the risk of starting the power tool accidentally.*
- d) **Store idle power tools out of the reach of children and do not allow persons unfamiliar with the power tool or these instructions to operate the power tool.** *Power tools are dangerous in the hands of untrained users.*
- e) **Maintain power tools. Check for misalignment or binding of moving parts, breakage of parts and any other condition that may affect the power tool's operation.** *If damaged, have the power tool repaired before use. Many accidents are caused by poorly maintained power tools.*
- f) **Keep cutting tools sharp and clean.** *Properly maintained cutting tools with sharp cutting edges are less likely to bind and are easier to control.*
- g) **Use the power tool, accessories and tool bits etc. in accordance with these instructions, taking into account the working conditions and the work to be performed.** *Use of the power tool for operations different from those intended could result in a hazardous situation.*

5) Battery tool use and care

- a) **Recharge only with the charger specified by the manufacturer.** *A charger that is suitable for one type of battery pack may create a risk of fire when used with another battery pack.*
- b) **Use power tools only with specifically designated battery packs.** *Use of any other battery packs may create a risk of injury and fire.*
- c) **When battery pack is not in use, keep it away from other metal objects, like paper clips, coins, keys, nails, screws or other small metal objects, that can make a connection from one terminal to another.** *Shorting the battery terminals together may cause burns or a fire.*
- d) **Under abusive conditions, liquid may be ejected from the battery; avoid contact.** *If contact accidentally occurs, flush with water. If liquid contacts eyes, additionally seek medical help. Liquid ejected from the battery may cause irritation or burns.*

6) Service

- a) Have your power tool serviced by a qualified repair person using only identical replacement parts. This will ensure that the safety of the power tool is maintained.

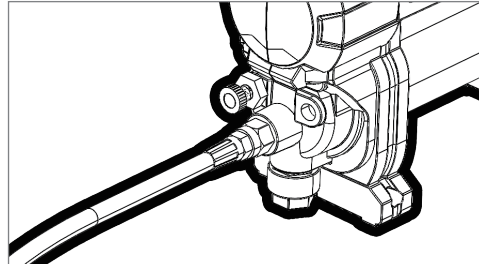
Additional Safety Instructions Grease Guns

- a) High pressure can cause some tool parts or hose assembly to rupture, posing a risk of injection injury and/or amputation. Inspect product and hose assembly for damage or wear before each use. Do not use if damaged or worn.
- b) Hold hose assembly by spring strain relief to avoid kinking the hose.
- c) Grease and lubricants may be flammable. Do not expose to flame or heat source. Follow all warnings and instructions from grease and lubricant manufacturer.
- d) To avoid damage to the grease gun and pump, the loader fitting must be compatible with the coupler and rated for at least 10000 psi.
- e) Smells from grease or lubricants may cause irritation to the operator's skin or respiratory system. Always use personal protective equipment and wear an appropriate mask.
- f) Always wear goggles when using the product. It is recommended to wear gloves, sturdy non-slipping shoes and apron.
- g) Ambient temperature range for tool during operation is between 0°C and 40°C.
- h) Ambient temperature range for tool storage is between 0°C and 40°C.
- i) The information in this manual has been carefully checked and is believed to be entirely reliable and consistent with the product described. However, no responsibility is assumed for inaccuracies, or for liability arising out of the application and use of the equipment described.
- j) Should the equipment be used in a manner not specified, the protection provided by the equipment may be impaired and the warranty voided.
- k) Always wear safety glasses when using a grease gun. Keep work area clean & remove excess grease from tools, hands & clothing after use.
- l) Do not use grease gun hose for other applications or at pressure levels above rated pressures.

Caution: Excess grease, if left on floors, tools or equipment can create surfaces that become slippery

Tool Assembly

K23030



INSTALLING THE HIGH PRESSURE HOSE

Note: The Grease Gun comes pre-assembled and assembly is not required.

Connect the desired extension hose and coupler onto the Grease Gun outlet of the Grease Gun head using a thread sealant such as teflon (not included), to make a seal-proof connection.

(DO NOT over tighten as this may fracture the Grease Gun Outlet which could result in an air leak).

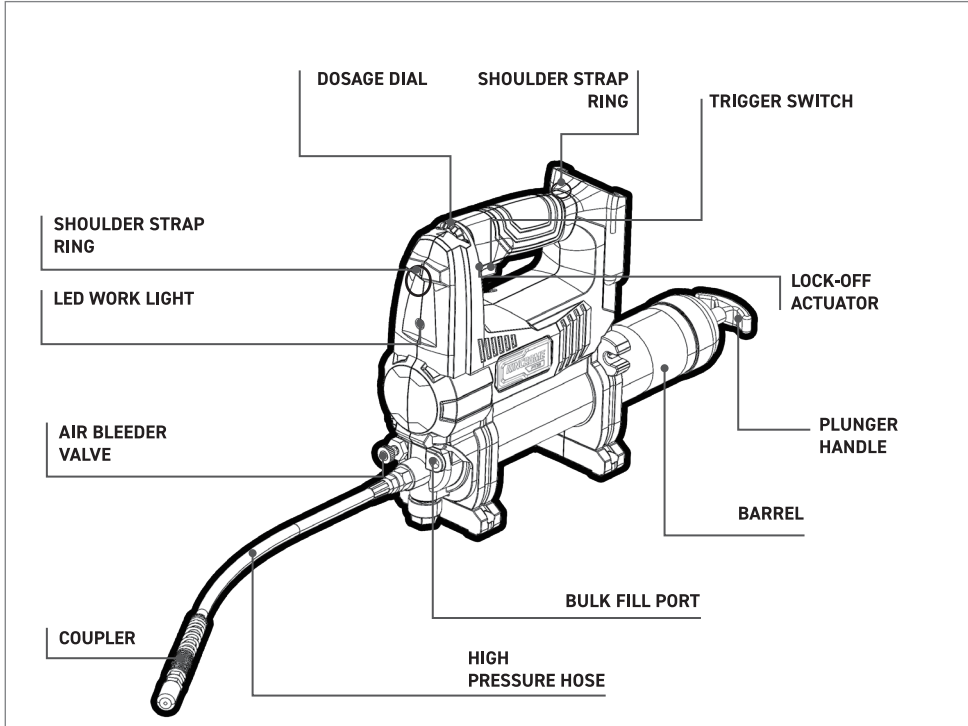
Symbols

The rating plate on your tool may show symbols. These represent important information about the product or instructions on its use.

	Direct current, d.c.		Waste electrical products should not be disposed of with household waste. Please recycle where facilities exist. Check with your Local Authority or retailer for recycling advice.
	Refer to instruction manual/booklet		
	Wear eye protection		General warning
	Regulator compliance mark		

Know Your Product

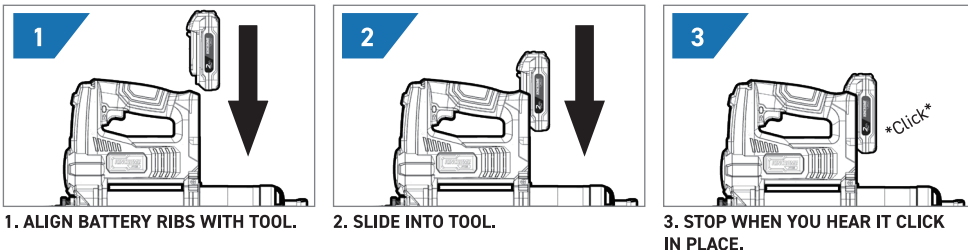
K23030



Specifications

Voltage	18Vd.c.	Max. Pressure	9000PSI
Barrel Capacity	450g	Recommended Grease	Up to NLGI2
Flow Rate	200g/min		

How To Insert Battery On Tool

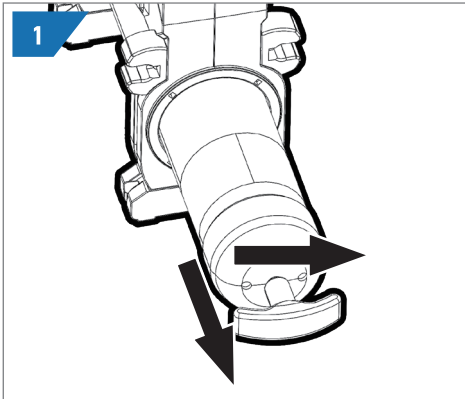


Grease Cartridge Filling

K23030

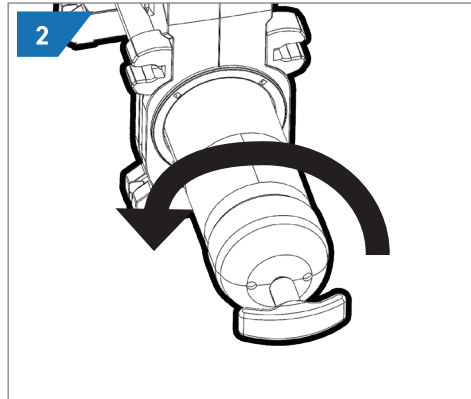


WARNING: Ensure the tool is switched off and the battery is removed before performing any of the following tasks.

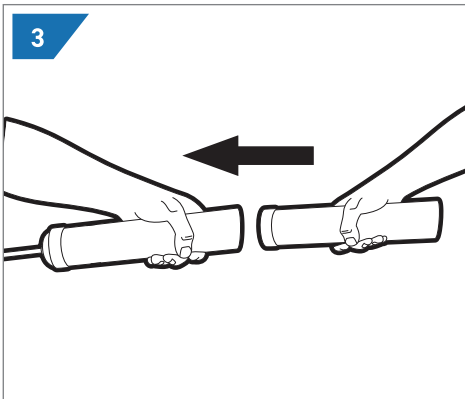


1. PULL BACK THE PLUNGER

Pull back the plunger, and push it sideways into the retaining slot. Ensure the rod is securely seated in the slot or it may spring back.

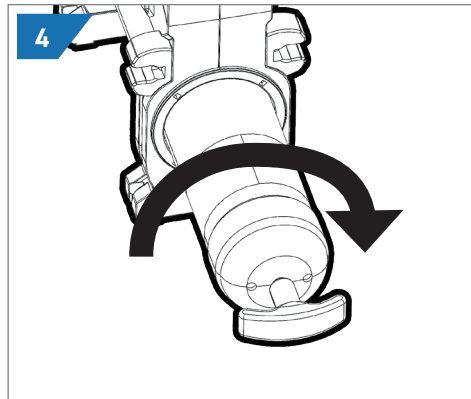


2. UNSCREW AND REMOVE THE BARREL



3. PREPARE THE GREASE CARTRIDGE

Remove the cap from the cartridge.
Insert the cartridge, open end first, into the barrel.
Remove the seal from the cartridge.



4. SCREW THE BARREL INTO THE GREASE GUN

Then release the plunger from the retaining slot and press it completely into the barrel.

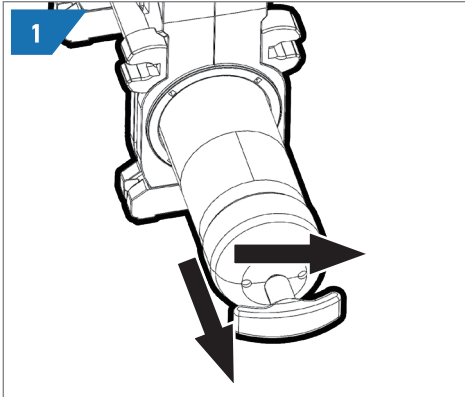
Prime the grease gun according to "Priming the Grease Gun".

Suction Loading

K23030

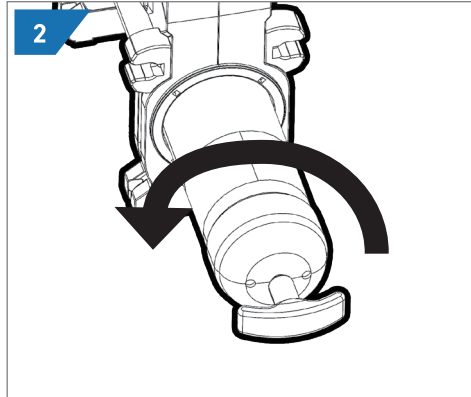


WARNING: Ensure the tool is switched off and the battery is removed before performing any of the following tasks.

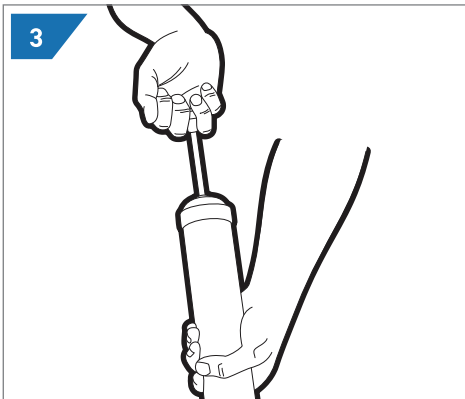


1. PULL BACK THE PLUNGER

Pull back the plunger, and push it sideways into the retaining slot. Ensure the rod is securely seated in the slot or it may spring back.

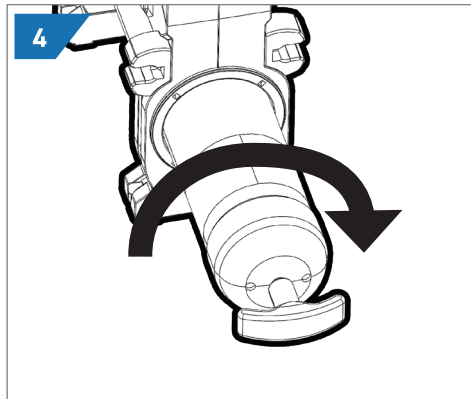


2. UNSCREW AND REMOVE THE BARREL.



3. INSERT THE OPEN END OF THE BARREL BELOW THE SURFACE OF THE BULK GREASE

Pull back the rod, and push it sideways into the retaining slot. Remove the barrel from the bulk grease. Wipe excess grease from the outside of the barrel and screw it into the grease gun. Release the rod from the retaining slot and press it completely into the barrel.



4. SCREW THE BARREL INTO THE GREASE GUN

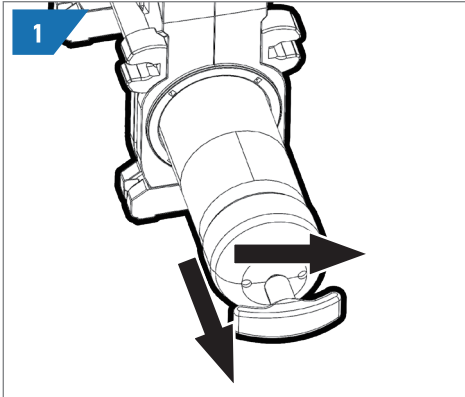
Then release the plunger from the retaining slot and press it completely into the barrel. Prime the grease gun according to "Priming the Grease Gun".

Filler Pump

K23030

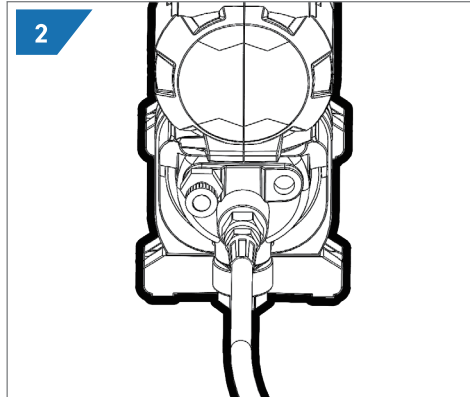


WARNING: Ensure the tool is switched off and the battery is removed before performing any of the following tasks.
Caution: To avoid damage to the grease gun and pump, the loader fitting **MUST** be compatible with the coupler and rated for atleast 10,000 psi.



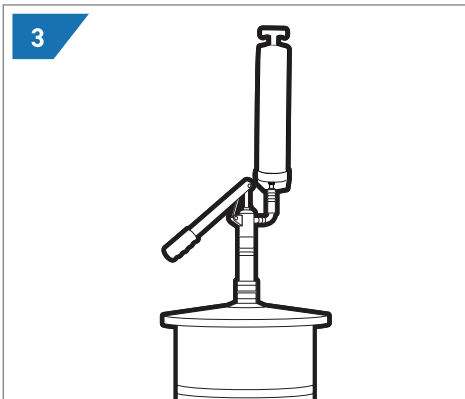
1. PULL BACK THE PLUNGER

Pull back the plunger. Release the rod/plunger. Do NOT push the plunger into the retaining slot.



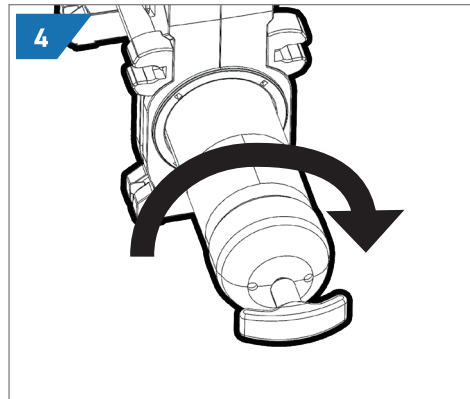
2. CHECK COMPATIBILITY OF BULK FILLER VALVE ON YOUR GREASE GUN

To make sure they are compatible. Wipe the Bulk Filler Nipple clean of any dirt before starting.



3. INSERT THE BULK FILLER VALVE ONTO THE FEMALE LOADER VALVE OF THE GREASE FILLER PUMP

Remove the cap from the cartridge. Insert the cartridge, open end first, into the barrel. Remove the seal from the cartridge.



4. OPERATE THE FILLER PUMP

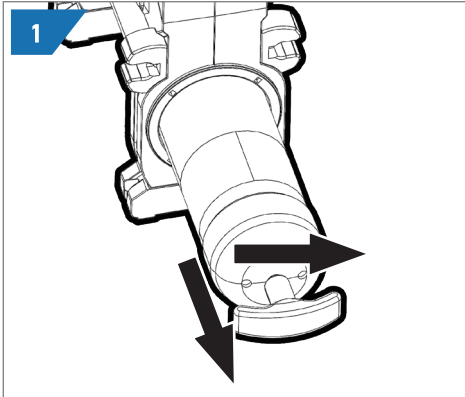
Operate the Filler pump until the plunger has been pushed out of the barrel approximately 20,32cm. Rotate the rod handle to release the plunger. Push the plunger completely into the barrel. Prime the grease gun according to "Priming the Grease Gun".

Bulk Grease Loading

K23030

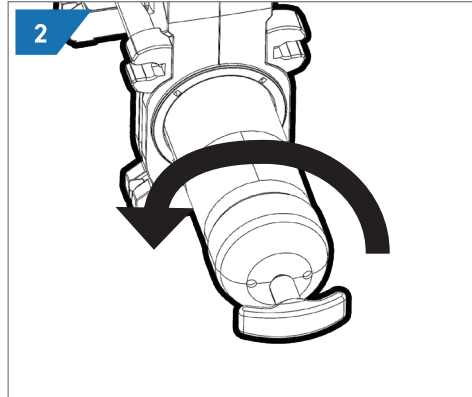


WARNING: Ensure the tool is switched off and the battery is removed before performing any of the following tasks.

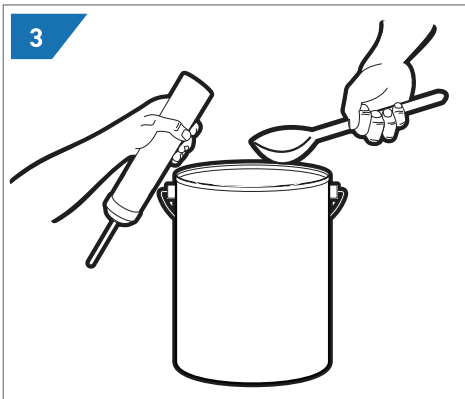


1. PULL BACK THE PLUNGER

Pull back the plunger, and push it sideways into the retaining slot. Ensure the rod is securely seated in the slot or it may spring back.

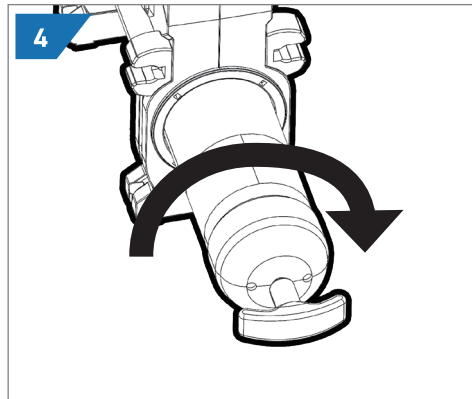


2. UNSCREW AND REMOVE THE BARREL.



3. INSERT THE OPEN END OF THE BARREL BELOW THE SURFACE OF THE BULK GREASE

Scoop out clean Grease from the Bulk Grease Container into the empty Grease Gun Barrel. Once the Barrel is full, shake the Barrel to allow grease to settle down. Fill with more grease if Barrel is not completely full.



4. SCREW THE BARREL INTO THE GREASE GUN

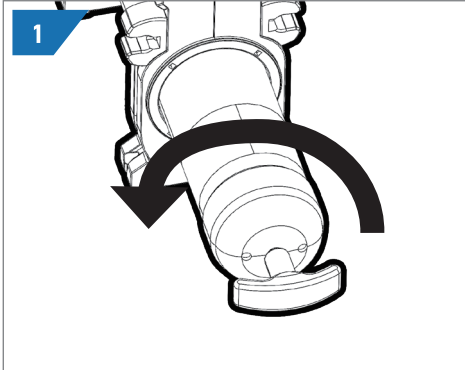
Then release the plunger from the retaining slot and press it completely into the barrel.
Prime the grease gun.

Priming the Grease Gun

K23030

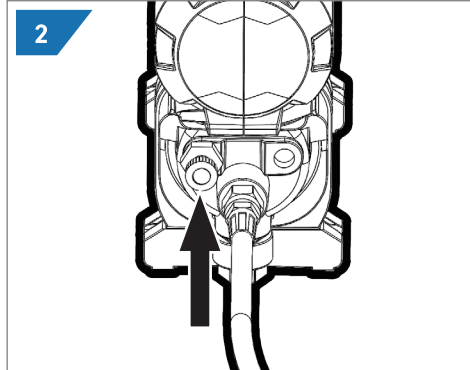


WARNING: Ensure the tool is switched off and the battery is removed before performing any of the following tasks.
Caution: A common occurrence with all grease guns is trapped air pockets within grease. Trapped air causes no or reduced grease discharge. Removing air pockets from grease is referred to as priming or bleeding. It is highly recommended to prime your grease gun, before it is used, if grease stops coming out, the most probable cause is trapped air in grease. If your grease gun is regularly used, Priming can be done without having to remove the Grease Gun extension & coupler from the Grease Gun head.



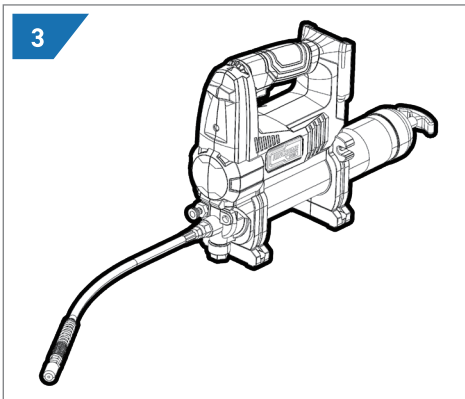
1. UNSCREW THE BARREL 2-3 TURNS TO HELP EXPEL ANY TRAPPED AIR

The cartridge requires to be firmly tightened before unscrewing the cartridge.



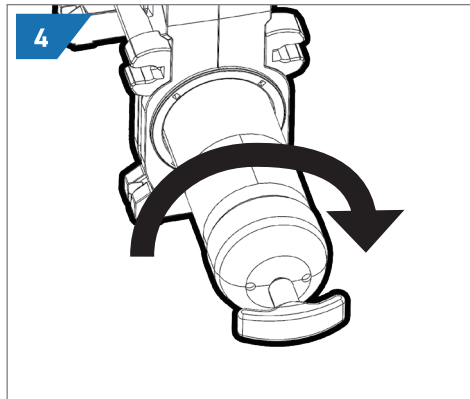
2. DEPRESSING THE BLEEDER VALVE AND THE PLUNGER

Release and push down firmly on the grease gun. Some grease will appear before air is expelled.



3. START OPERATING THE GREASE GUN

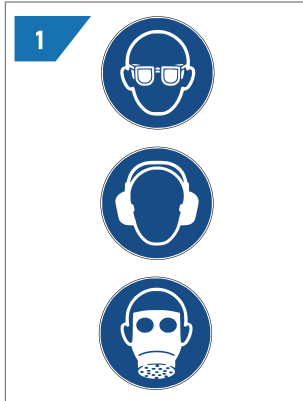
Keep operating until grease starts flowing out continuously. (Note that the first discharge of grease may have some air bubbles). If grease is accompanied with air bubbles, repeat steps to "Prime the Grease Gun".



4. TIGHTEN THE BARREL INTO THE GREASE GUN

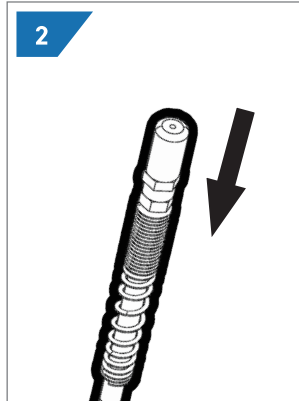
Greasing A Grease Fitting / Nipple

K23030



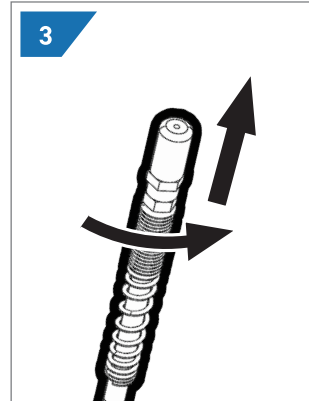
1. ENSURE SAFETY

Always wear safety glasses when working with the grease gun. Make sure to secure your hair and any baggy clothes. In appropriate situations make sure you wear ear muffs, a mask or a respiratory mask.



2. CONNECTING THE COUPLER TO THE GREASE FITTING

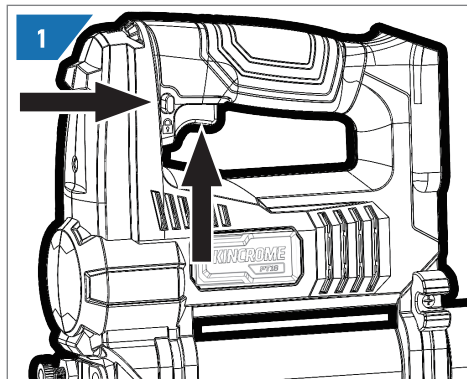
Press the coupler straight onto the grease fitting to form a snug fit. Start operating the grease gun with the coupler as square to the grease fitting as possible.



3. REMOVING THE COUPLER FROM THE GREASE FITTING

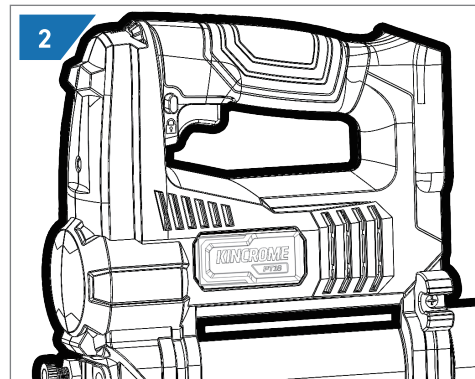
Once greasing is completed, slightly tilt the coupler, twist and pull back. The tilt and twist action will allow easy removal of the coupler from the grease fitting.

Using the LED Work Light



1. TO TURN THE LED ON

De-press the lock-off button.
De-press the trigger, and upon trigger being engaged, you can then release the lock-off switch.



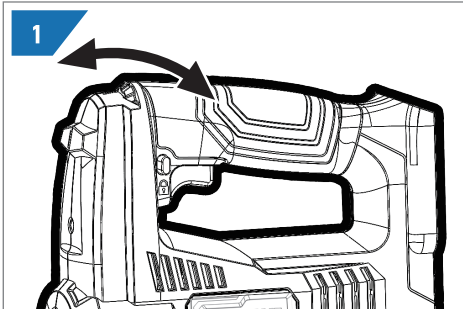
2. TO TURN OFF THE LED OFF

Release the trigger.

Dosage Dial

K23030

Note: The dosage dial can be set to limit the amount of grease dispensed.

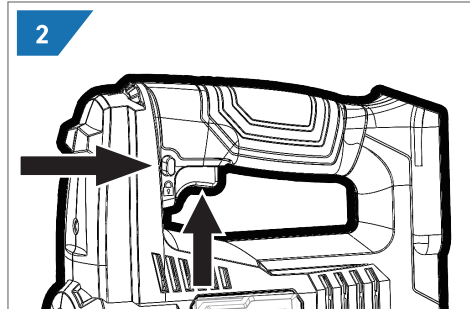


1. SET THE DOSAGE

Set the dosage dial 1 through 6 to the required flow of grease.

Rotate to the clockwise to increase the flow.

Rotate to the anti-clockwise to decrease the flow.



2. TURN-ON THE GREASE GUN

De-press the lock-off button.

De-press the trigger, and upon trigger being engaged, you can then release the lock-off switch.

Troubleshooting

Problem	Cause	Remedy
Grease gun pumps little to no grease	<ul style="list-style-type: none"> a. Air pockets in grease b. Dense or Frozen Grease c. Grease Gun Extension Blocked d. Grease Gun Head Blocked 	<ul style="list-style-type: none"> a. Prime Grease Gun (refer to steps 1-4 of "Priming the Grease Gun") b. i) Use a lower viscosity grease ii) Add some oil to grease to make it more viscous iii) Heat the Grease Gun Barrel to unfreeze the grease c. Remove Extension pipe. If Grease gun pumps grease without the extension, then the problem is with the extension, which should be cleaned / replaced d. Dis-assemble the Grease Gun Head to check for any contaminants blocking the passage of grease Clean & Re-assemble the Grease Gun Head
Grease leaks from the connection between the Grease Gun Head or the Extension pipe or the Coupler	<ul style="list-style-type: none"> a. Loose Connection 	<ul style="list-style-type: none"> a. Inspect and tighten the connection using Teflon or another form of Thread Sealant
Grease leaks from the Coupler body joint or from in-between the Coupler Jaws & Grease Nipple	<ul style="list-style-type: none"> a. Damaged Grease Coupler 	<ul style="list-style-type: none"> a. Replace the Coupler

Maintenance

K23030

This power tool normally requires no maintenance; from time to time the ventilation slots on the motor casing should be cleaned out. If the unit should become defective, repair should be performed by an authorized service agent for electric tools.

Avoid using solvents when cleaning plastic parts. Most plastics are susceptible to damage from various types of commercial solvents and may be damaged by their use. Use clean cloths to remove dirt, dust, oil, grease, etc.

Warning!

Do not at any time let brake fluids, gasoline, petroleum based products, penetrating oils, etc., come in contact with plastic parts. Chemicals can damage, weaken or destroy plastic which may result in serious personal injury.

OFFICE CONTACT DETAILS



Phone: 1300 657 528

Email: enquiries@kincrome.com.auWebsite: www.kincrome.com.au

WARRANTY



3 YEAR STANDARD
*2 FURTHER YEARS WHEN
REGISTERED ONLINE

Our goods and services come with guarantees that cannot be excluded under the Australian Consumer Law. For major failures with the service, you are entitled -to cancel your service contract with us; and -to a refund for the unused portion, or to compensation for its reduced value. You are also entitled to choose a refund or replacement for major failures with goods. If a failure with the goods or a service does not amount to a major failure, you are entitled to have the failure rectified in a reasonable time. If this is not done you are entitled to a refund for the goods and to cancel the contract for the service and obtain a refund of any unused portion. You are also entitled to be compensated for any other reasonably foreseeable loss or damage from a failure in the goods or service. Kincrome Australia Pty Ltd of 3 Lakeview Drive, Caribbean Park, Scoresby, Victoria (Tel 1300 657 528) also provides the Kincrome Limited Lifetime Guarantee, 5 Year Warranty, 5 Year (3+2) warranty, 3 Year Warranty, 2 Year Warranty and 12-Month Warranty (Kincrome Express Warranties) in respect of some of its products. If a product is covered by a Kincrome Express Warranty and it has materials or workmanship defects (other than defects caused by abnormal or non warranted use) which are covered under the terms of the relevant Kincrome Express Warranty, you can, at your cost, send the product to the above address for repair or replacement. Your rights under a Kincrome Express Warranty are in addition to any other rights you have under the Australian Consumer Law or other applicable laws. For further details and terms please check our product guide, visit www.kincrome.com.au or call us. Every effort is made to ensure advertised stock is available, but due to factors beyond the control of Kincrome Australia Pty. Ltd, not all products advertised in this catalogue may be available at all stores. Kincrome Australia Pty. Ltd. reserves the right to correct printing errors. All sizes shown are approximate only. Accessories shown do not come with the product unless otherwise specified. Due to printing process, colours in this catalogue may vary slightly to actual item. E. & O. E. © Copyright 2022. Reproduction in whole or in part is prohibited without written approval.