

# Operation Manual

K77243

**! IMPORTANT:** THIS OPERATING MANUAL CONTAINS IMPORTANT SAFETY INFORMATION, READ CAREFULLY & UNDERSTAND ALL INFORMATION BEFORE OPERATING. SAVE THIS MANUAL FOR FUTURE USE



Do not open more than one drawer at a time.



Do not step on drawers.



Do not let children near the Toolbox.



Do not separate Chest from Trolley.



Do not exceed Drawer Load Limit



Not suitable for mounting in Vehicles



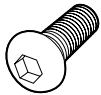
Set the brake on the locking castors unless you are moving the Toolbox.



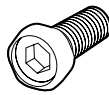
## Specifications

Load Per Shelf	50kg
Load Capacity	150kg
Net Weight	26.8kg
Material	Heavy Gauge Steel
Measurements	L 680 x W 461 x H 937mm

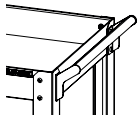
## Parts List



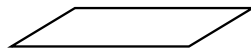
48 X HEX BOLTS FOR HANDLE & UPRIGHTS



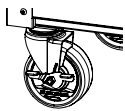
16 X BOLTS FOR CASTORS



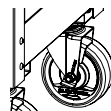
1 X CART HANDLE



3 X EVA MATS



2 X LOCKABLE SWIVEL CASTORS



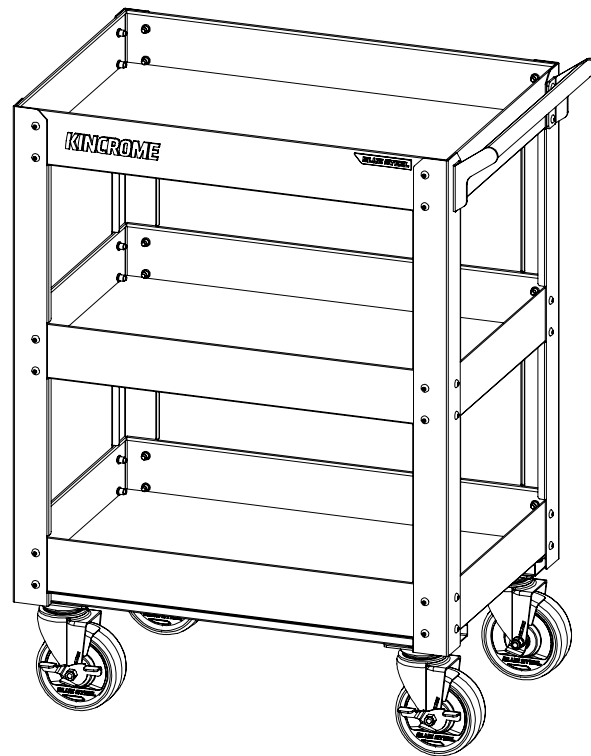
2 X SWIVEL CASTORS

**KINCROME**

1 X KINCROME BADGE

**BLUE STEEL**

1 X BLUESTEEL BADGE



## Maintenance

- > Periodically tighten all hardware
- > Use a damp Microfibre cloth to clean all surfaces

# Operation Manual

K77243

## Assembly Instructions

**STEP 1:**

Remove all contents from carton and reference the parts list ensuring you have all the parts.

**STEP 2:**

Starting with the base shelf attach each vertical upright using the supplied hex bolts.

**Note:** Do not fully tighten hex bolts until unit is assembled.

**STEP 3:**

Repeat Step 2 for the middle and top shelf.

**Note:** Fit the top shelf according to your preference, either Flat style or Tray style.

**STEP 4:**

Tension all hex bolts ensuring they are tight.

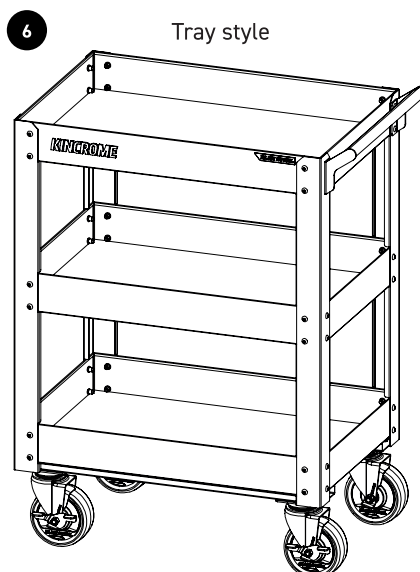
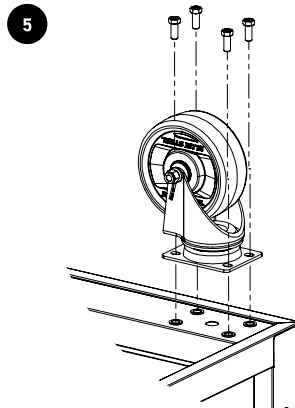
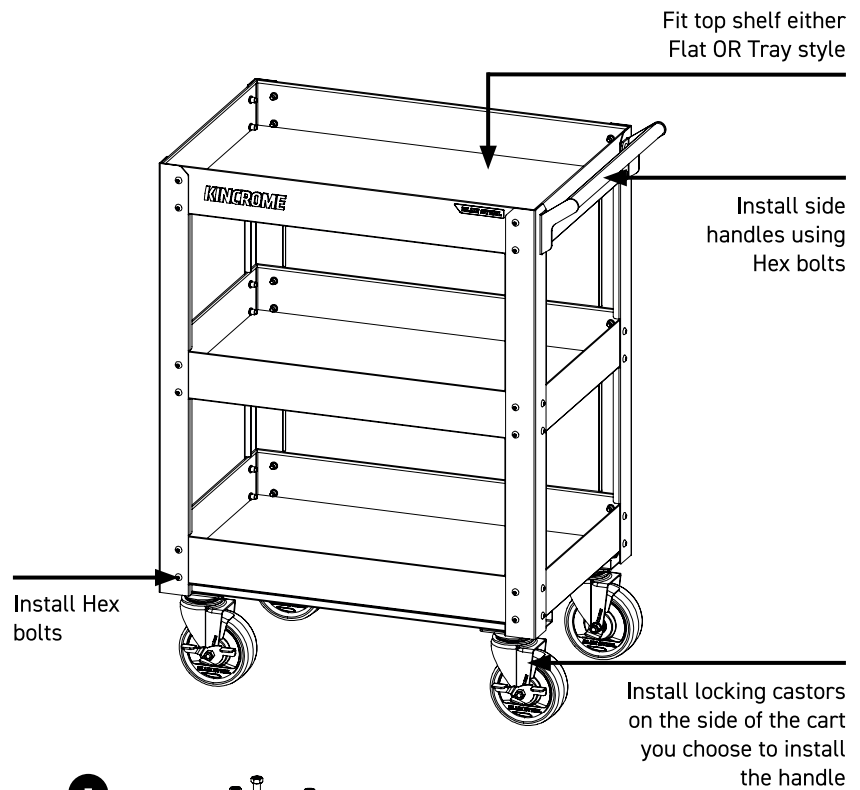
**STEP 5:**

Carefully lie the Cart on its side and fit the 4 swivel castors using the bolts and provided ensuring they are tightly fastened.

**Note:** Install the two locking castors on the same side so they can be easily accessed, we suggest fitting both on the side of the cart you choose to install the handle on.

**STEP 6:**

Stand Cart back on the castors and fit the side handle using the Hex bolts provided. Attach the Kincrome badge to the top left hand shelf, sub brand on the top right hand side and insert each tray mat placing the thick mat on the top shelf.



# Operation Manual

K77243

## Spare Parts

Ref	Part Number	QTY	Description
1	K77991	1	TROLLEY HANDLE
2	K77992	2	LOCKABLE SWIVEL CASTOR X 1
3	K77993	2	SWIVEL CASTOR X 1



### OFFICE CONTACT DETAILS

Phone: 1300 657 528    Email: [enquiries@kincrome.com.au](mailto:enquiries@kincrome.com.au)    Website: [www.kincrome.com.au](http://www.kincrome.com.au)

### WARRANTY



Our goods and services come with guarantees that cannot be excluded under the Australian Consumer Law. For major failures with the service, you are entitled: -to cancel your service contract with us; and -to a refund for the unused portion, or to compensation for its reduced value. You are also entitled to choose a refund or replacement for major failures with goods. If a failure with the goods or a service does not amount to a major failure, you are entitled to have the failure rectified in a reasonable time. If this is not done you are entitled to a refund for the goods and to cancel the contract for the service and obtain a refund of any unused portion. You are also entitled to be compensated for any other reasonably foreseeable loss or damage from a failure in the goods or service. Kincrome Australia Pty Ltd of 3 Lakeview Drive, Caribbean Park, Scoresby, Victoria (Tel 1300 657 528) also provides the Kincrome Lifetime Guarantee and 12-Month Warranty (Kincrome Express Warranties) in respect of some of its products. If a product is covered by a Kincrome Express Warranty and it has materials or workmanship defects (other than defects caused by abnormal or non warranted use) which are covered under the terms of the relevant Kincrome Express Warranty, you can, at your cost, send the product to the above address for repair or replacement. Your rights under a Kincrome Express Warranty are in addition to any other rights you have under the Australian Consumer Law or other applicable laws. For further details and terms please check our product guide, visit [www.kincrome.com.au](http://www.kincrome.com.au) or call us. Every effort is made to ensure advertised stock is available, but due to factors beyond the control of Kincrome Australia Pty. Ltd, not all products advertised in this catalogue may be available at all stores. Kincrome Australia Pty. Ltd. reserves the right to correct printing errors. All sizes shown are approximate only. Accessories shown do not come with the product unless otherwise specified. Due to printing process, colours in this catalogue may vary slightly to actual item. E. & O. E.© Copyright 2022. Reproduction in whole or in part is prohibited without written approval.



# KINCROME **BLUE STEEL**

## MODULAR STORAGE SYSTEM

**BUILD THE ULTIMATE COMBO FOR YOUR SPACE**



### **BLUESTEEL® Range**

The Kinchrome BLUESTEEL® storage series is available in 26", 41" and 54" sizes, with 15 different models to choose from, ensuring a perfect fit for any professional setting. Crafted for those who demand trade-quality durability in a classic style, this range features heavy-duty castors, seamless drawer operation with automatic retention, and is backed by a robust two-year warranty.



### **Modular Storage System**

Whether you have a compact shed or a spacious workshop, the BLUESTEEL® Modular Storage System adapts effortlessly to your tool storage needs. Our system is designed with versatility in mind, complete with a range of accessories to complement the entire collection. From the casual DIY enthusiast to the seasoned professional, BLUESTEEL® has everything you need to keep your tools organised and accessible. Trust in Bluesteel's robust design to protect and secure your tools, no matter the size of your space.



### **19 Custom Tool Box Trays**

Explore our selection of 19 tailored EVA tool box trays to streamline your tool kit. Designed for optimal organisation and accessibility, our EVA trays allow for quick tool identification, enhancing your efficiency and productivity on every job.

**Scan me to see the full range**



# KINCROME **BLUE STEEL**

## MODULAR STORAGE COMPONENTS - TICKED ITEMS WILL FIT YOUR PURCHASE

 <p><b>Add-On Chest 3 Drawer</b> 680mm [26"]</p> <p>Measurements 680 x 315 x (L x W x H) 282mm Part No K77213</p>	 <p><b>Tool Chest 6 Drawer</b> 680mm [26"]</p> <p>Measurements 680 x 315 x (L x W x H) 389mm Part No K77216</p>	 <p><b>Tool Chest 7 Drawer</b> 680mm [26"]</p> <p>Measurements 680 x 461 x (L x W x H) 497mm Part No K77217</p>
 <p><b>Tool Trolley 7 Drawer</b> 680mm [26"]</p> <p>Measurements 680 x 461 x (L x W x H) 1001mm Part No K77227</p>	 <p><b>Chest &amp; Trolley Combo 2 Piece 7 Drawer</b> 680mm [26"]</p> <p>Measurements 680 x 461 x (L x W x H) 1366mm Part No K77237</p>	 <p><b>Tool Cart 3 Tier</b> 680mm [26"]</p> <p>Measurements 680 x 461 x (L x W x H) 945mm Part No K77243</p>
 <p><b>Hutch</b> 1045mm [41"]</p> <p>Measurements 1045 x 461 x (L x W x H) 497mm Part No K77410</p>	 <p><b>Tool Chest 8 Drawer</b> 1045mm [41"]</p> <p>Measurements 1045 x 461 x (L x W x H) 497mm Part No K77418</p>	 <p><b>Tool Trolley 9 Drawer</b> 1045mm [41"]</p> <p>Measurements 1045 x 461 x (L x W x H) 1001mm Part No K77429</p>
 <p><b>Tool Trolley 9 Drawer</b> 1370mm [54"]</p> <p>Measurements 1370 x 461 x (L x W x H) 1001mm Part No K77529</p>	 <p><b>Power Tool Holder</b> 3 Slot</p> <p>Measurements 416 x 137 x (L x W x H) 120mm Part No K77921</p>	 <p><b>Side Locker</b> 2 Shelf</p> <p>Measurements 389 x 461 x (L x W x H) 830mm Part No K77922</p>
 <p><b>Side Locker</b> 3 Tier</p> <p>Measurements 258 x 461 x (L x W x H) 830mm Part No K77923</p>	 <p><b>Side Locker</b> 4 Shelf</p> <p>Measurements 500 x 461 x (L x W x H) 1489mm Part No K77924</p>	 <p><b>Side Storage Rack</b> 3 Tier</p> <p>Measurements 461 x 120 x (L x W x H) 830mm Part No K77925</p>

○ ALSO AVAILABLE - UNIVERSAL TROLLEY MOUNT - K77929 - ALLOWS FITMENT OF SELECT ACCESSORIES TO SOME OLDER BLUESTEEL TROLLEYS