

### Operation Manual

K7955



**IMPORTANT:** THIS OPERATING MANUAL CONTAINS IMPORTANT SAFETY INFORMATION, READ CAREFULLY & UNDERSTAND ALL INFORMATION BEFORE OPERATING. SAVE THIS MANUAL FOR FUTURE USE



Do not open more than one drawer at a time.



Do not step on drawers.



Do not let children near the Toolbox.



Do not separate Chest from Trolley.



Do not exceed Drawer Load Limit



Not suitable for mounting in Vehicles



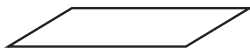
Lock drawers and lid before moving the Toolbox.



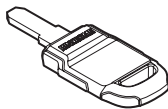
### Specifications

Drawer load capacity	20kg
Net weight	23kg
Material	Heavy Gauge Steel
Measurements	L 670 x W 465 x H 285mm

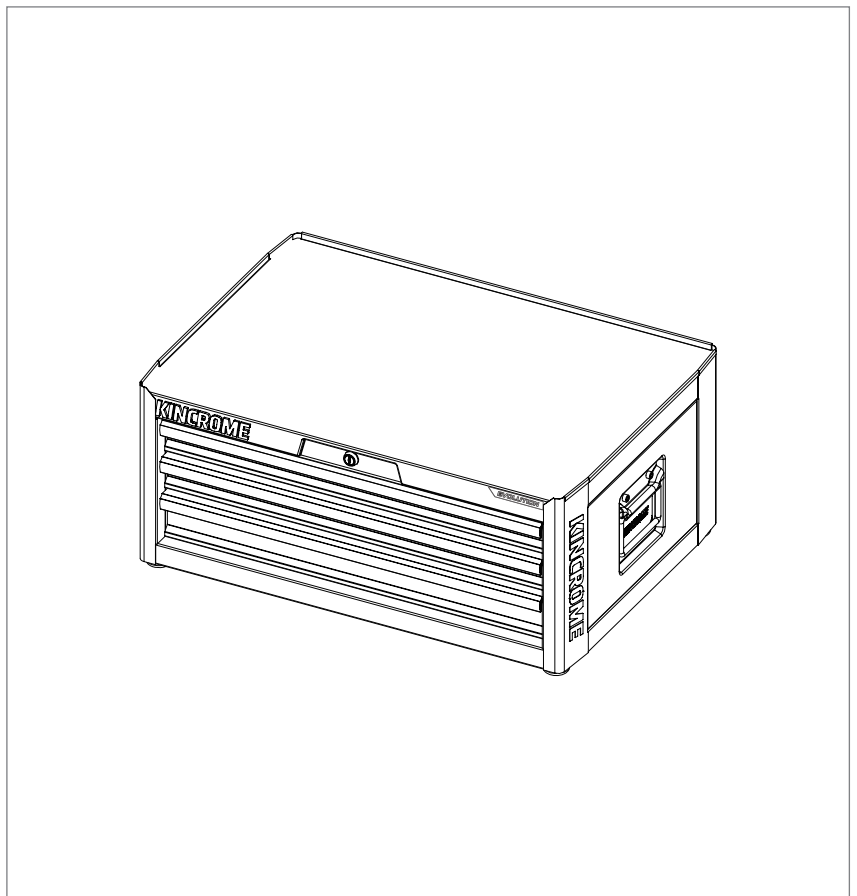
### Parts List



4 X EVA MATS



2 X KEYS



### Maintenance

- > Periodically tighten all hardware
- > Lubricate the slides twice a year
- > Lubricate the lock with graphite annually
- > Use a damp Microfibre cloth to clean all surfaces

### How to Remove & Reinsert Drawers

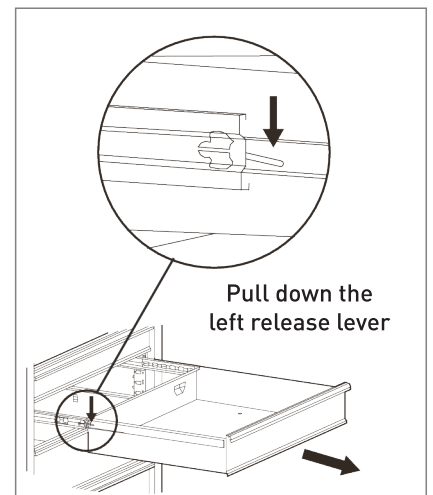
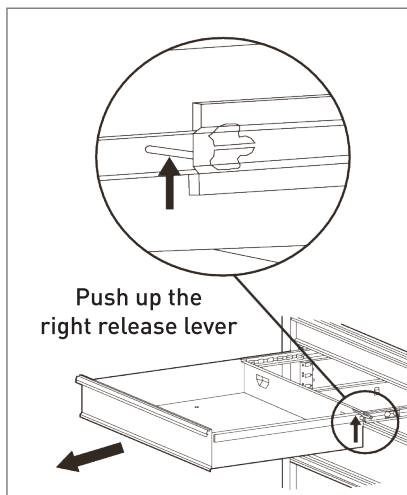
#### REMOVING THE DRAWERS

- Fully extend the empty drawer.
- Push up the right release lever while pushing down the left release lever.
- Pull the drawer outward until it is released from the drawer slide.

#### RE-INSERTING THE DRAWERS

- Extend the drawer slides.
- Insert the brackets on each side of the drawer into the slots on the slides, being careful that they are properly positioned.
- Once properly inserted, completely close the drawer to set the slides in their proper positions.

**Note:** If drawer does not slide in smoothly Do Not force. Remove and reinstall drawer.

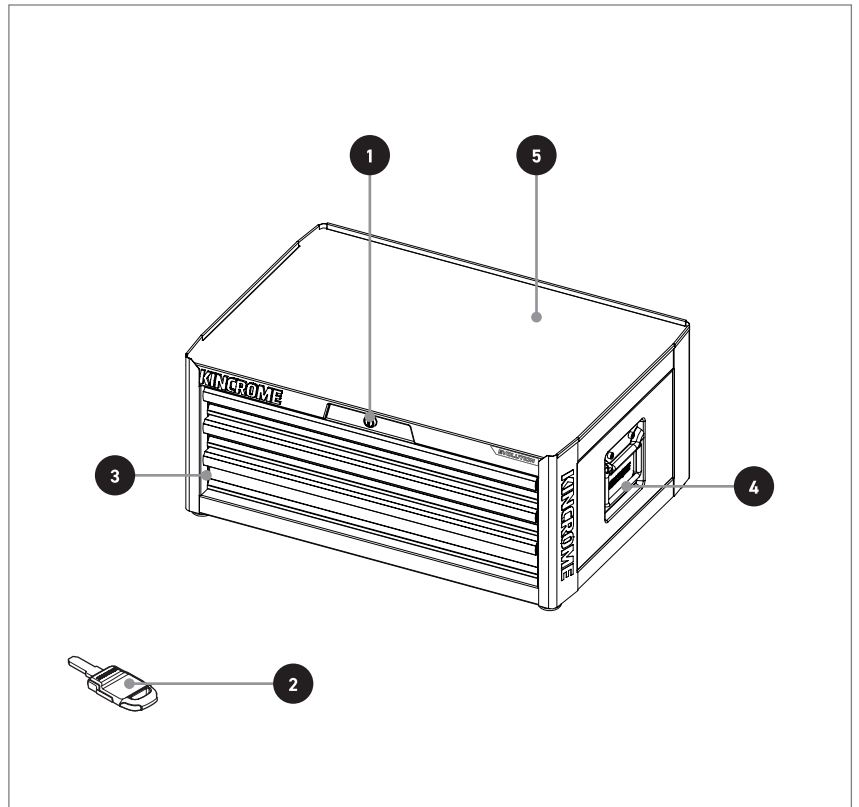


# Operation Manual

K7955

## Spare Parts

Ref	Part Number	QTY	Description
1	K7998-1	1	LOCK & KEY
2	K7998-2	1	KEY ONLY (SPECIFY KEY NUMBER)
3	K7999-8	3	BALL BEARING SLIDES (PAIR)
4	K7999-5	2	SIDE CARRY HANDLE x 1
5	K7999-25	1	EVA MAT PACK (6 PIECE)



### OFFICE CONTACT DETAILS

Phone: 1300 657 528    Email: [enquiries@kinchrome.com.au](mailto:enquiries@kinchrome.com.au)    Website: [www.kinchrome.com.au](http://www.kinchrome.com.au)

### WARRANTY



Our goods and services come with guarantees that cannot be excluded under the Australian Consumer Law. For major failures with the service, you are entitled: -to cancel your service contract with us; and -to a refund for the unused portion, or to compensation for its reduced value. You are also entitled to choose a refund or replacement for major failures with goods. If a failure with the goods or a service does not amount to a major failure, you are entitled to have the failure rectified in a reasonable time. If this is not done you are entitled to a refund for the goods and to cancel the contract for the service and obtain a refund of any unused portion. You are also entitled to be compensated for any other reasonably foreseeable loss or damage from a failure in the goods or service'. Kinchrome Australia Pty Ltd of 3 Lakeview Drive, Caribbean Park, Scoresby, Victoria (Tel 1300 657 528) also provides the Kinchrome Lifetime Guarantee and 12-Month Warranty (Kinchrome Express Warranties) in respect of some of its products. If a product is covered by a Kinchrome Express Warranty and it has materials or workmanship defects (other than defects caused by abnormal or non warranted use) which are covered under the terms of the relevant Kinchrome Express Warranty, you can, at your cost, send the product to the above address for repair or replacement. Your rights under a Kinchrome Express Warranty are in addition to any other rights you have under the Australian Consumer Law or other applicable laws. For further details and terms please check our product guide, visit [www.kinchrome.com.au](http://www.kinchrome.com.au) or call us. Every effort is made to ensure advertised stock is available, but due to factors beyond the control of Kinchrome Australia Pty. Ltd, not all products advertised in this catalogue may be available at all stores. Kinchrome Australia Pty. Ltd. reserves the right to correct printing errors. All sizes shown are approximate only. Accessories shown do not come with the product unless otherwise specified. Due to printing process, colours in this catalogue may vary slightly to actual item. E. & O. E.© Copyright 2022. Reproduction in whole or in part is prohibited without written approval.

