

# Operation Manual

K7957



**IMPORTANT:** THIS OPERATING MANUAL CONTAINS IMPORTANT SAFETY INFORMATION, READ CAREFULLY & UNDERSTAND ALL INFORMATION BEFORE OPERATING. SAVE THIS MANUAL FOR FUTURE USE



Do not let children near the Toolbox.



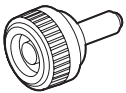
Not suitable for mounting in Vehicles



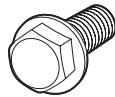
## Specifications

Drawer load capacity	40kg
Net weight	35.5kg
Material	Heavy Gauge Steel
Measurements	L 436 x W 465 x H 815mm

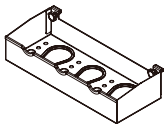
## Parts List



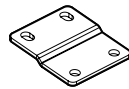
4 X LOCKING BOLTS FOR POWER TOOL HOLDERS



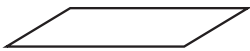
8 X BOLTS FOR CONNECTING PLATES



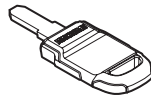
2 X POWER TOOL HOLDERS



2 X CONNECTING PLATES



1 X EVA MAT



2 X KEYS



## Maintenance

- > Periodically tighten all hardware
- > Lubricate the lock with graphite annually
- > Use a damp Microfibre cloth to clean all surfaces

### Operation Manual

K7957

### Assembly Instructions

**STEP 1:**

The Side locker can be installed on either side of a Kincrome EVOLUTION trolley.

Remove the 2 outside bolts from the castors on the side you are going to mount the side locker.

Using the 2 removed bolts mount the connecting plates to the underside of the castors.

(Please ensure you are mounting the lower side of the connecting plates to the trolley)

**STEP 2:**

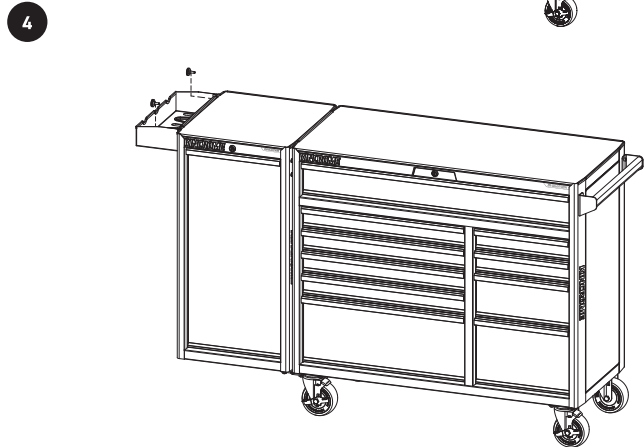
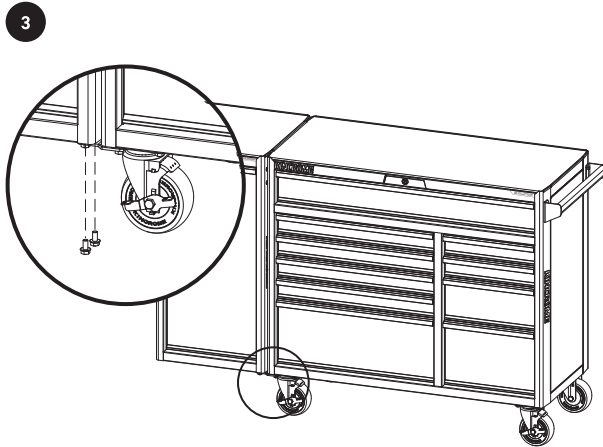
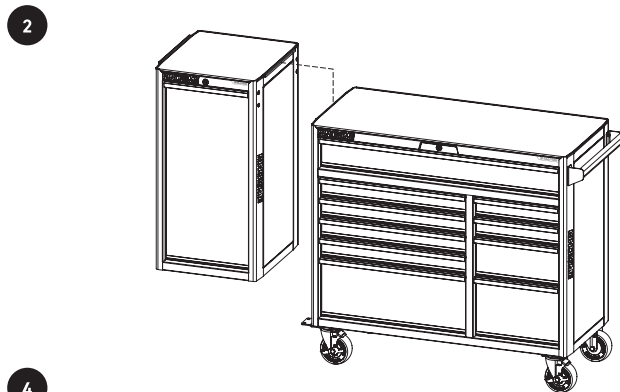
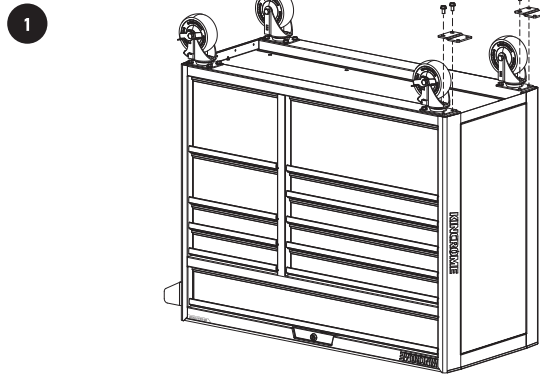
Once the connecting plates are in position you can mount the side locker onto the trolley by hooking the top lip on the side locker over the top of the trolley side, the side locker will be supported also by the connecting plates underneath.

**STEP 3:**

Using the 4 bolts supplied for the connecting plates, securely fasten the plates to the bottom of the side locker.

**STEP 4 (OPTIONAL):**

Power Tool Holders can be mounted to the edge of the side locker using the securing bolts provided.



### How to Remove & Reinsert Drawers

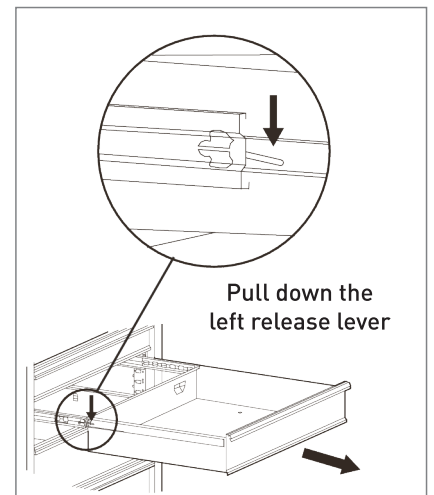
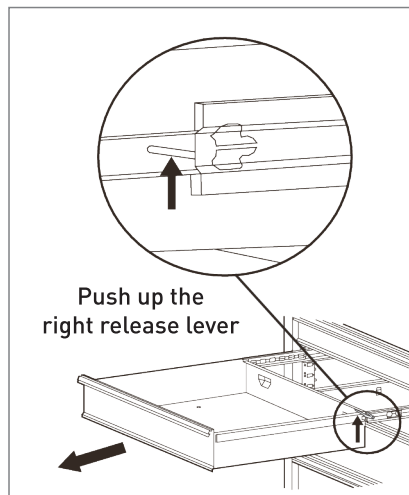
**REMOVING THE DRAWERS**

- Fully extend the empty drawer.
- Push up the right release lever while pushing down the left release lever.
- Pull the drawer outward until it is released from the drawer slide.

**RE-INSERTING THE DRAWERS**

- Extend the drawer slides.
- Insert the brackets on each side of the drawer into the slots on the slides, being careful that they are properly positioned.
- Once properly inserted, completely close the drawer to set the slides in their proper positions.

**Note:** If drawer does not slide in smoothly Do Not force. Remove and reinstall drawer.

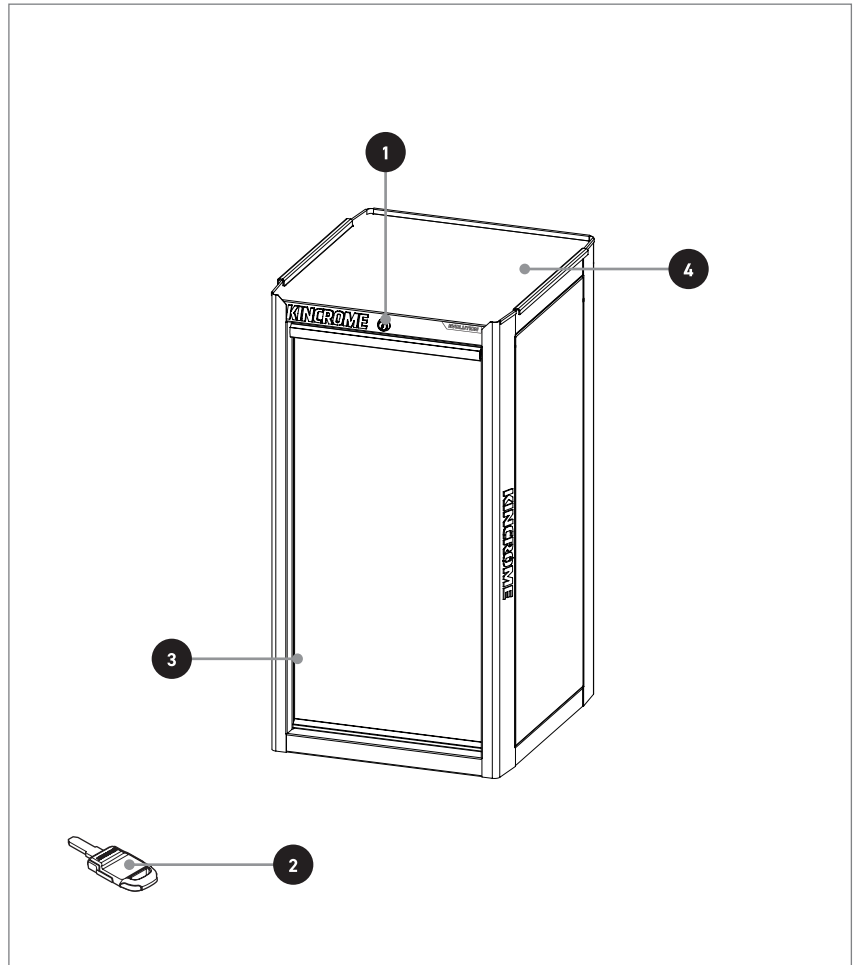


# Operation Manual

K7957

## Spare Parts

Ref	Part Number	QTY	Description
1	K7998-10	1	LOCK & KEY
2	K7998-2	1	KEY ONLY (SPECIFY KEY NUMBER)
3	K7999-8	2	BALL BEARING SLIDES (PAIR)
4	K7999-28	1	EVA MAT PACK (3 PIECE)



## OFFICE CONTACT DETAILS

Phone: 1300 657 528 Email: [enquiries@kinchrome.com.au](mailto:enquiries@kinchrome.com.au) Website: [www.kinchrome.com.au](http://www.kinchrome.com.au)

## WARRANTY



Our goods and services come with guarantees that cannot be excluded under the Australian Consumer Law. For major failures with the service, you are entitled: -to cancel your service contract with us; and -to a refund for the unused portion, or to compensation for its reduced value. You are also entitled to choose a refund or replacement for major failures with goods. If a failure with the goods or a service does not amount to a major failure, you are entitled to have the failure rectified in a reasonable time. If this is not done you are entitled to a refund for the goods and to cancel the contract for the service and obtain a refund of any unused portion. You are also entitled to be compensated for any other reasonably foreseeable loss or damage from a failure in the goods or service'. Kinchrome Australia Pty Ltd of 3 Lakeview Drive, Caribbean Park, Scoresby, Victoria (Tel 1300 657 528) also provides the Kinchrome Lifetime Guarantee and 12-Month Warranty (Kinchrome Express Warranties) in respect of some of its products. If a product is covered by a Kinchrome Express Warranty and it has materials or workmanship defects (other than defects caused by abnormal or non warranted use) which are covered under the terms of the relevant Kinchrome Express Warranty, you can, at your cost, send the product to the above address for repair or replacement. Your rights under a Kinchrome Express Warranty are in addition to any other rights you have under the Australian Consumer Law or other applicable laws. For further details and terms please check our product guide, visit [www.kinchrome.com.au](http://www.kinchrome.com.au) or call us. Every effort is made to ensure advertised stock is available, but due to factors beyond the control of Kinchrome Australia Pty. Ltd, not all products advertised in this catalogue may be available at all stores. Kinchrome Australia Pty. Ltd. reserves the right to correct printing errors. All sizes shown are approximate only. Accessories shown do not come with the product unless otherwise specified. Due to printing process, colours in this catalogue may vary slightly to actual item. E. & O. E.© Copyright 2022. Reproduction in whole or in part is prohibited without written approval.

