



ENGINE STAND

Distributed by Kincrome Group www.kincromegroup.com

Owner's Assembly and Operating Manual

SPECIFICATIONS	2
IMPORTANT SAFETY INFORMATION	3
UNPACKING AND ASSEMBLING STAND	3
Unpacking Carton	3
Assembling Engine Stand	3
USING ENGINE STAND.....	4
Preparing Work Area	4
Supporting an Engine.....	4
Working on Engine	4
MAINTENANCE AND STORAGE	4
Cleaning	4
Storage.....	5
Repairing Engine Stand.....	5

SPECIFICATIONS

Working Load limit	454 KG
Working Height	855 mm
Total Weight:	22 KG
Part Number	K12045

IMPORTANT SAFETY INFORMATION

The use of an engine stand has inherent dangers to avoid risk of personal injury or property damage make sure you are fully aware of the operating instructions for this product. Do not exceed the working load limit of this engine stand. This engine stand is intended for automotive use only. Be aware that large or heavy engines may exceed stands stated capacity check vehicle owners manual or contact the engine manufacturer. Do not use for any other purpose except to support an engine during maintenance.

UNPACKING AND ASSEMBLING STAND

Unpacking Carton

Place carton in a clear, open area such as garage floor. Remove components and lay them out neatly on selected work surface. Make sure all nuts, bolts, washers, and pins, are properly identified and placed safely until needed

Assembling Engine Stand

Step 1

Insert center bar into main up right, position rear wheel par and secure all three using bolt #10, washer #8 lock washer #7 and nut #6

Step 2

Attach front wheel bar using bolt #9, washer #8 lock washer #7 and nut #6.

Step 3

Attach front castor wheels #13 using washer #8 lock washer #7 and nut #6

Step 4

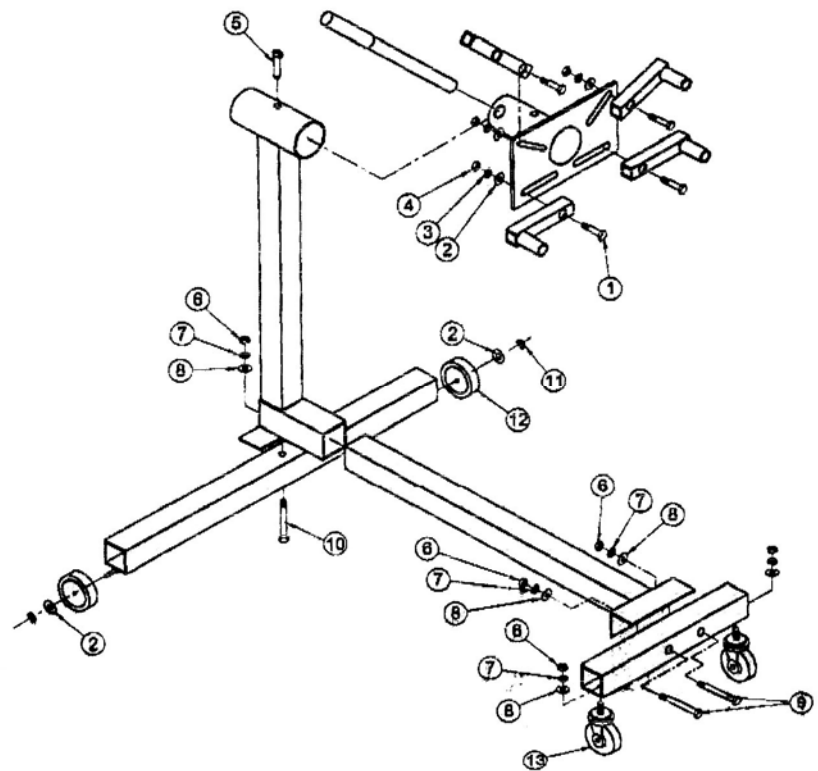
Position wheels 12 on the rear shaft hold in place with washer #2 and retaining ring #11

Step 5

Attach engine mounts to face plate hold loosely with bolt #1, washer #2, Lock washer #3, and nut #4. Place assembled face plate into stand upright and hold in place with pin #5

Step 6

Recheck all nuts and bolts are tight and that stand is stable when placed on a flat level surface



USING ENGINE STAND

Preparing Work Area

Before using an engine stand, it is important to prepare work area properly. Follow this procedure each time the engine stand is used to help prevent property damage and or serious injury.

- 1.) Thoroughly inspect engine stand for damage or wear before each use. Briefly test operation of unloaded stand and inspect nuts and bolts to be sure they are still firm before mounting engine.
- 2.) Consult engine manufactures guidelines for safety precautions, mounting procedure, and overall weight, before mounting engine to stand.
- 3.) The working load limit of this engine stand is 454 kg. **NEVER EXCEED WORKING LOAD LIMIT OF STAND.**
- 4.) Clear children and others from work area before mounting or moving an engine. Another adult should be nearby for extra safety and assistance but must be clear of work area.
- 5.) Clear obstructions from work area. Working in tight or cluttered work areas is dangerous.
- 6.) Be sure engine stand is on solid, level ground such as paved or concrete driveway or garage floor able to support the weight of the loaded engine stand.
- 7.) Uneven, cracked or sloped surfaces create hazardous working conditions and dangerously impeded the function of the engine stand.

Supporting an Engine

Supporting an engine on an engine stand can be dangerous. Follow all instructions and precautions below.

- 1.) Prepare the work area and inspect the engine stand to make sure it is in serviceable condition.
- 2.) Check the engine stand is off a suitable capacity for the engine to be mounted
- 3.) Use a suitable rated lifting device such as engine crane or chain block to raise the engine.
- 4.) Move the engine stand along side the engine and using High tensile bolts (not supplied) attach the engine to the engine stand.
- 5.) Do not work under or place any body part under an engine supported by and engine stand. Use the rotation function to get access to all parts of the mounted engine

Working on Engine

Any engine being supported by engine stand creates a potentially hazardous working environment. Do not attempt to roll an engine stand unless the area is smooth and the path uncluttered. Never place any part of your body beneath an engine supported by and engine stand. Be careful of forces applied to engine such as torque on a nut or bolt as these forces could cause engine to become unstable on engine stands. Do not attempt to start an engine mounted on an engine stand.

MAINTENANCE AND STORAGE

Cleaning

Engine stand should be wiped clean with soft cloth only. Do not use gasoline, kerosene, or other such

solvents or any abrasive cleanser as cleaning agents and solvents as they will cause deterioration of the painted finish exposing the product to rust.

Storage

Store engine stand in a clean environment preferably indoors, in a dry area to protect stand from moisture.

Repairing Engine Stand

There are no user serviceable parts, only trained, licensed and certified repair personnel should attempt any repairs. Any modifications to this engine stand, except those performed by the manufacturer, or their designee, will void all warranties both written and implied.

Distributed by Kincrome Group www.kincromegroup.com
3 Lakeview Drive Scoresby Victoria
Phone: 1300 657 528

